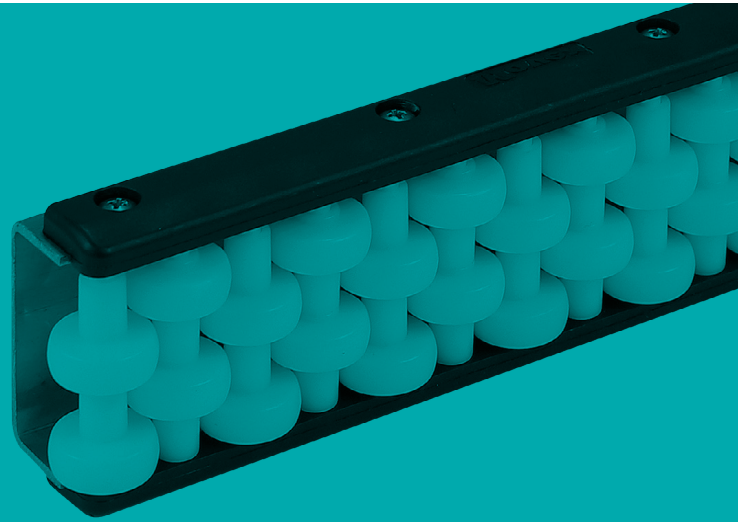
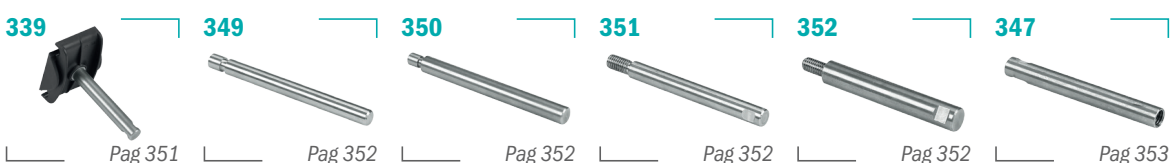
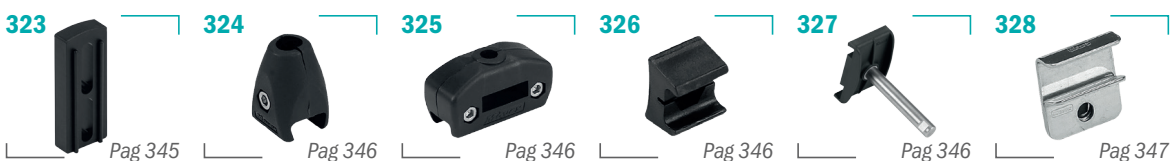


333



Conveyor components



348  Pag 353	346  Pag 354	356  Pag 354	357  Pag 354	335  Pag 355	358  Pag 356
364  Pag 356	359  Pag 357	365  Pag 357	360  Pag 358	366  Pag 358	361  Pag 359
367  Pag 359	366  Pag 360	367  Pag 360	364  Pag 361	365  Pag 361	395  Pag 362
362  Pag 362	358  Pag 362	333  Pag 362	353  Pag 363	354  Pag 363	355  Pag 363
363  Pag 364	396  Pag 365	363  Pag 366	199  Pag 367	368  Pag 368	369  Pag 368
370  Pag 369	371  Pag 369	372  Pag 370	373  Pag 370	383  Pag 371	384  Pag 371
385  Pag 372	386  Pag 372	397  Pag 372	374  Pag 373	375  Pag 373	377  Pag 374
378  Pag 374	379  Pag 375	380  Pag 375	381  Pag 376	382  Pag 376	376  Pag 377
376  Pag 377	376  Pag 377	391  Pag 378	387  Pag 379	388  Pag 379	

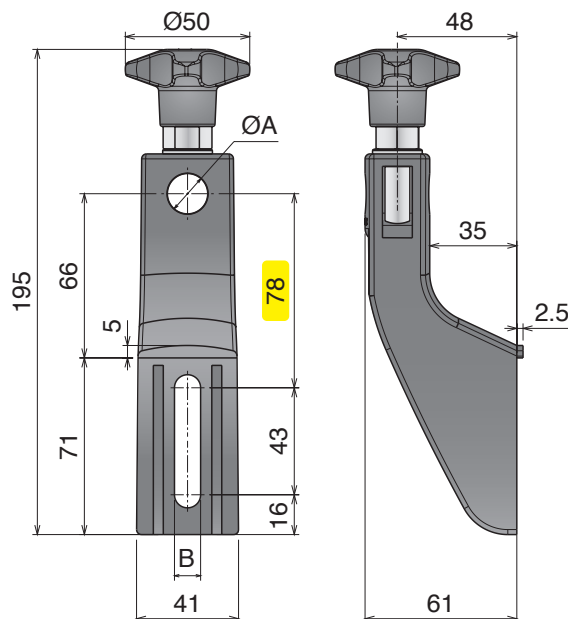
Materiale / Material / Materialien:

Supporto: PA Support: PA Halter: PA

Volantino: PA+ottone nichelato Knob: PA+nickel plated brass Sterngriff: PA+ Messing vernickelt

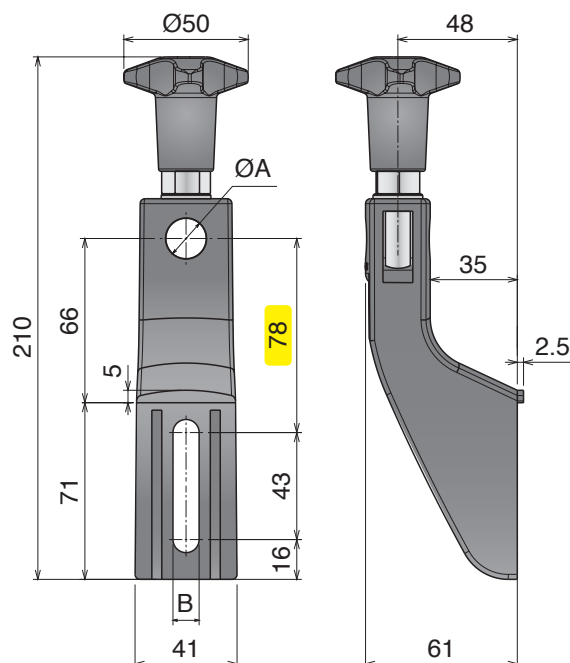
Tirante: Acciaio inox Eyebolt: Stainless steel Augenschraube: Edelstahl

301 Supporto laterale -piccolo- Side bracket -small- / Geländerhalter -klein-



Part	Article-Nr.	ØA	B
301	30101	12	9
301	30105	14	9
301	30102	16	9
301	30103	12	10,5
301	30106	14	10,5
301	30104	16	10,5

302 Supporto laterale -piccolo- volantino alto Side bracket -small- high knob / Geländerhalter -klein- hoher Sterngriff



Part	Article-Nr.	ØA	B
302	30201	12	9
302	30205	14	9
302	30202	16	9
302	30203	12	10,5
302	30206	14	10,5
302	30204	16	10,5

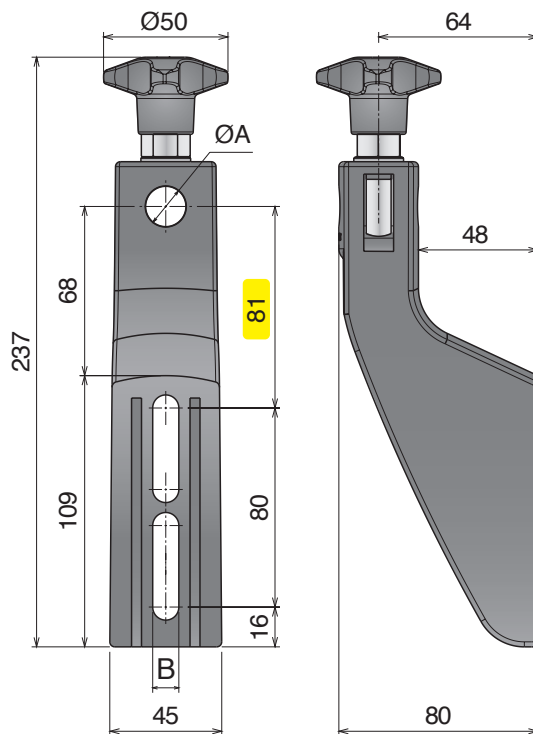
Materiale / Material / Materialien:

Supporto: PA Support: PA Halter: PA

Volantino: PA+ottone nichelato Knob: PA+nickel plated brass Sterngriff: PA+ Messing vernickelt

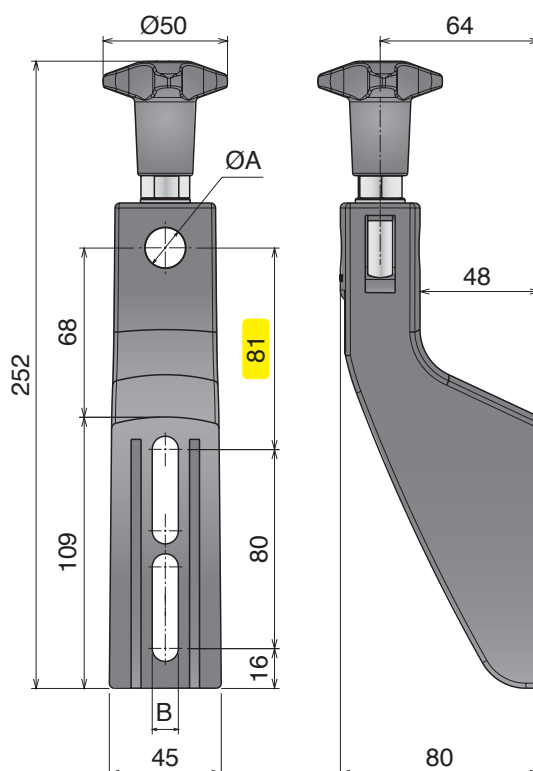
Tirante: Acciaio inox Eyebolt: Stainless steel Augenschraube: Edelstahl

305 Supporto laterale -medio- Side bracket -medium- / Geländerhalter -medium-



Part	Article-Nr.	ØA	B
305	30501	12	9
305	30505	14	9
305	30502	16	9
305	30503	12	10,5
305	30506	14	10,5
305	30504	16	10,5

306 Supporto laterale -medio- volantino alto Side bracket -medium- high knob / Geländerhalter -medium- hoher Sterngriff



Part	Article-Nr.	ØA	B
306	30601	12	9
306	30605	14	9
306	30602	16	9
306	30603	12	10,5
306	30606	14	10,5
306	30604	16	10,5

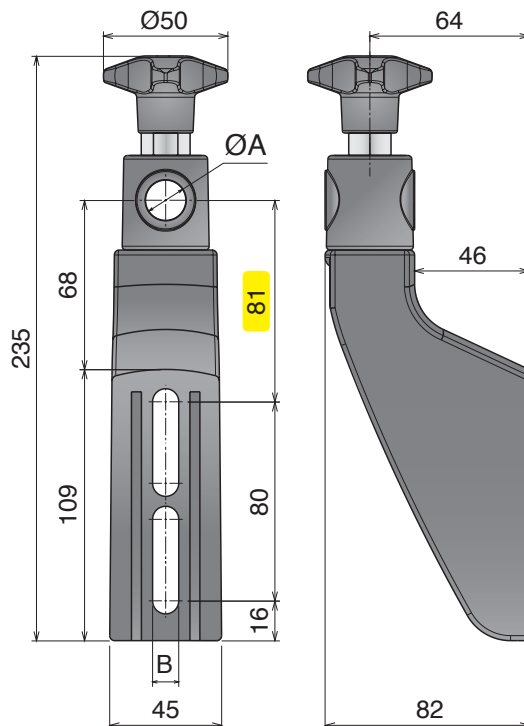
Materiale / Material / Materialien: Supporto: PA Support: PA Halter: PA
 Volantino: PA+ottone nichelato Knob: PA+nickel plated brass Sterngriff: PA+ Messing vernickelt
 Tirante: Acciaio inox Eyebolt: Stainless steel Augenschraube: Edelstahl
 Testina: PA o Acciaio inox Heads: PA or stainless steel Schwenkkopf: PA oder Edelstahl
 Vite, rondella e dado: Acciaio inox Screw, washers and nut: Stainless steel Schraube, Unterlegs und Mutter: Edelstahl

307-308

Componenti / Conveyor components / Komponenten

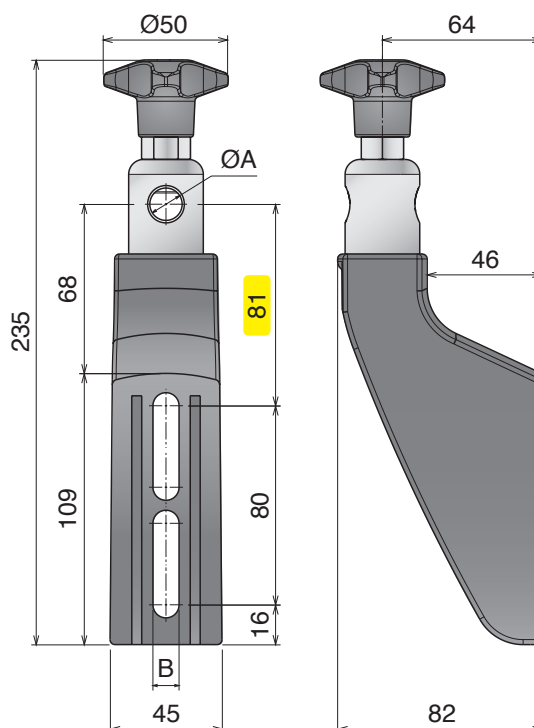
307 Supporto laterale -medio- orientabile Side bracket -medium- adjustable / Geländerhalter -medium- einstellbar

Part	Article-Nr.	ØA	B
307	30701	12	9
307	30705	14	9
307	30702	16	9
307	30703	12	10,5
307	30706	14	10,5
307	30704	16	10,5
307	30709	bracket	9
307	30710	bracket	10,5



308 Supporto laterale -medio- orientabile INOX Side bracket -medium- adjustable SS / Geländerhalter -medium- einstellbar Edelstahl

Part	Article-Nr.	ØA	B
308	30801	12	9
308	30805	14	9
308	30802	16	9
308	30803	12	10,5
308	30806	14	10,5
308	30804	16	10,5



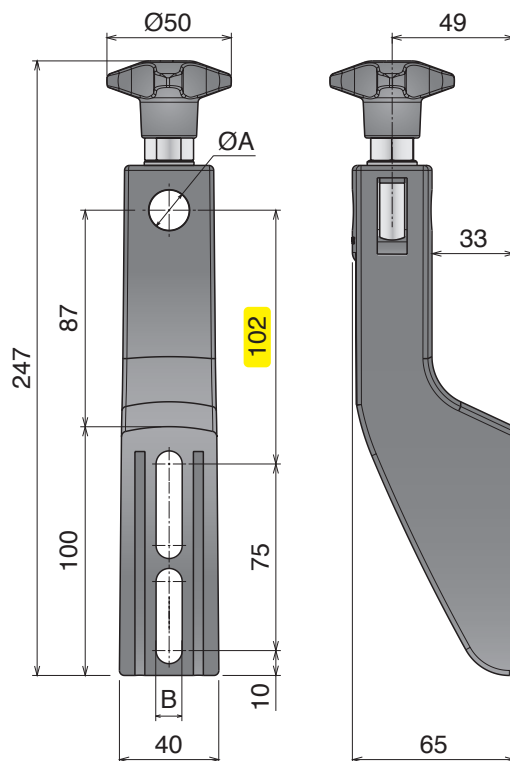
Materiale / Material / Materialien:

Supporto: PA Support: PA Halter: PA

Volantino: PA+ottone nichelato Knob: PA+nickel plated brass Sterngriff: PA+ Messing vernickelt

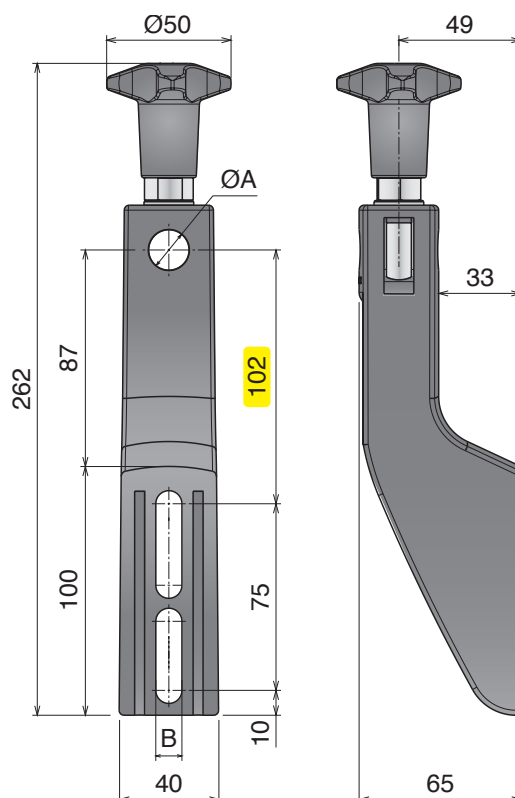
Tirante: Acciaio inox Eyebolt: Stainless steel Augenschraube: Edelstahl

309 Supporto laterale -grande- Side bracket -large- / Geländerhalter -groß-



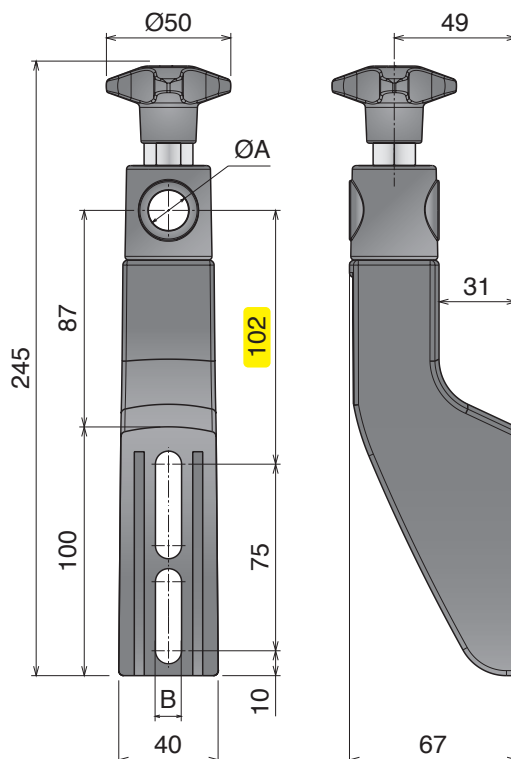
Part	Article-Nr.	$\varnothing A$	B
309	30901	12	9
309	30905	14	9
309	30902	16	9
309	30903	12	10,5
309	30906	14	10,5
309	30904	16	10,5

310 Supporto laterale -grande- volantino alto Side bracket -large- high knob / Geländerhalter -groß- hoher Sterngriff



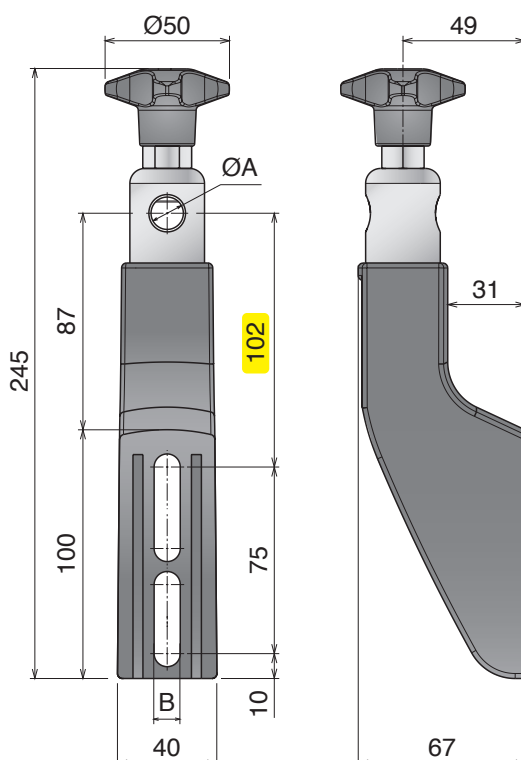
Part	Article-Nr.	$\varnothing A$	B
310	31001	12	9
310	31005	14	9
310	31002	16	9
310	31003	12	10,5
310	31006	14	10,5
310	31004	16	10,5

311 Supporto laterale -grande- orientabile Side bracket -large- adjustable / Geländerhalter -groß- einstellbar



Part	Article-Nr.	ØA	B
311	31101	12	9
311	31105	14	9
311	31102	16	9
311	31103	12	10,5
311	31106	14	10,5
311	31104	16	10,5
311	31109	bracket	9
311	31110	bracket	10,5

312 Supporto laterale -grande- orientabile INOX Side bracket -large- adjustable SS / Geländerhalter -groß- einstellbar Edelstahl



Part	Article-Nr.	ØA	B
312	31201	12	9
312	31205	14	9
312	31202	16	9
312	31203	12	10,5
312	31206	14	10,5
312	31204	16	10,5

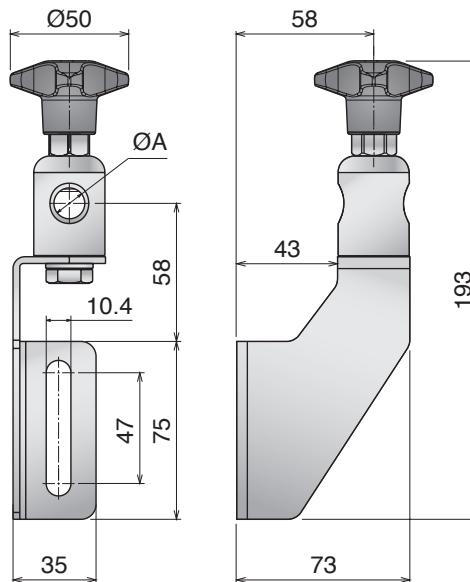
Materiale / Material / Materialien:

Supporto: Acciaio inox Support: Stainless steel Halter: Edelstahl

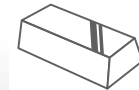
Volantino: PA+ottone nichelato Knob: PA+nickel plated brass Sterngriff: PA+ Messing vernickelt

398 Supporto laterale inox -medio- orientabile

SS bracket -medium- adjustable / Edelstahl Geländerhalter -medium- einstellbar



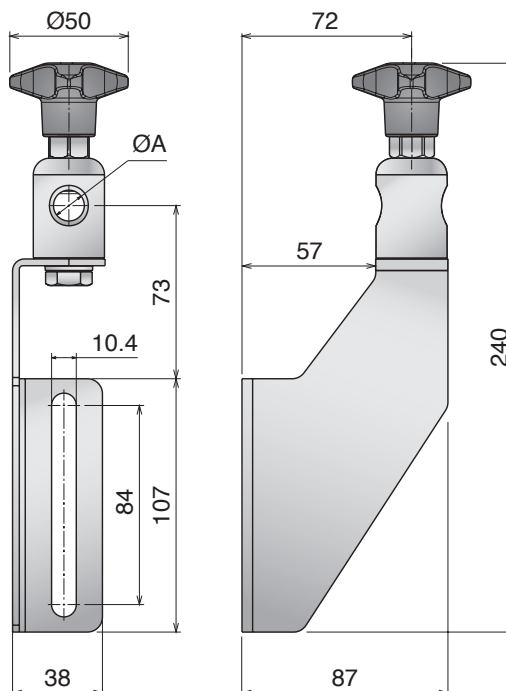
Part	Article-Nr.	ØA
398	39860	12
398	39862	14
398	39861	16



Stainless steel
AISI 304

Supporto laterale inox -grande- orientabile

SS bracket -large- adjustable / Edelstahl Geländerhalter -groß- einstellbar



Part	Article-Nr.	ØA
398	39870	12
398	39872	14
398	39871	16



Stainless steel
AISI 304

Materiale / Material / Materialien:

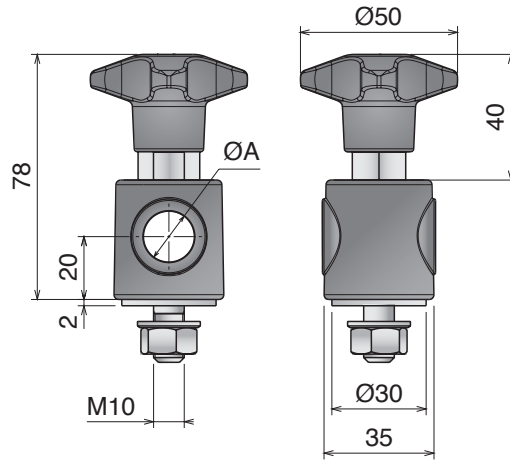
Volantino: PA+ottone nichelato Knob: PA+nickel plated brass Sterngriff: PA+ Messing vernickelt

Tirante: Acciaio inox Eyebolt: Stainless steel Augenschraube: Edelstahl

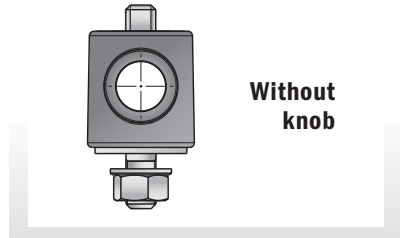
Testina: PA o Acciaio inox Heads: PA or stainless steel Schwenkopf: PA oder Edelstahl

Vite, rondella e dado: Acciaio inox Screw, washers and nut: Stainless steel Schraube, Unterlegs und Mutter: Edelstahl

313 Testina orientabile Adjustable head / Schwenkopf



Part	Article-Nr.	ØA
313	31301	12
313	31303	14
313	31302	16
313	31311	12-without knob
313	31313	14-without knob
313	31312	16-without knob

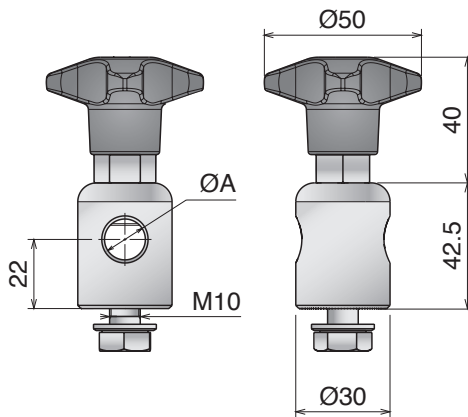


Without knob



Spacer
31330

314 Testina orientabile, acciaio inox Adjustable head, stainless steel / Schwenkopf, Edelstahl

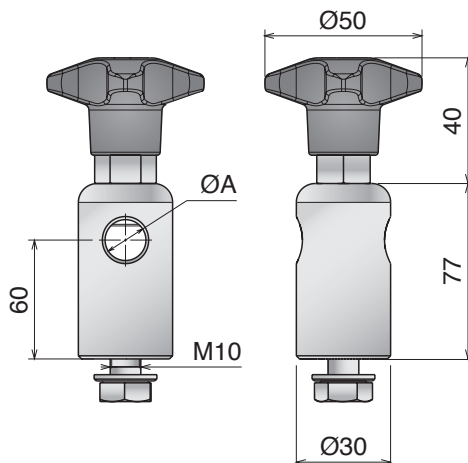


Part	Article-Nr.	ØA
314	31401	12
314	31403	14
314	31402	16
314	31411	12-without knob
314	31413	14-without knob
314	31412	16-without knob



Without knob

Testina orientabile alta, acciaio inox Adjustable head, stainless steel / Schwenkopf, Edelstahl



Part	Article-Nr.	ØA
314	31409	12
314	31414	14
314	31410	16
314	31419	12-without knob
314	31421	14-without knob
314	31420	16-without knob



Without knob

315 Supporto laterale "L" L-bracket / Winkel

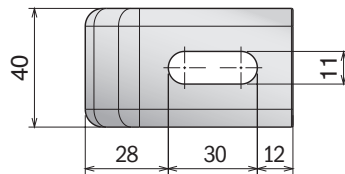
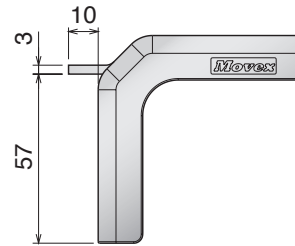
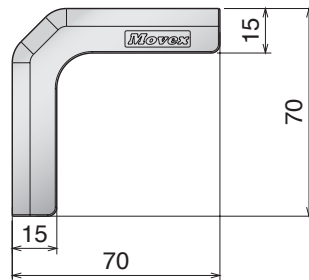
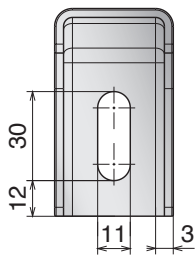


Part	Article-Nr.	Type
315	31501	A
315	31502	B

Stainless steel
AISI 304

Type A - without nose

Type B - with nose



316 Supporto laterale "L" L-bracket / Winkel

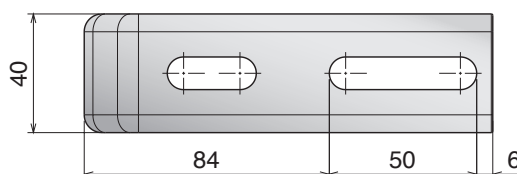
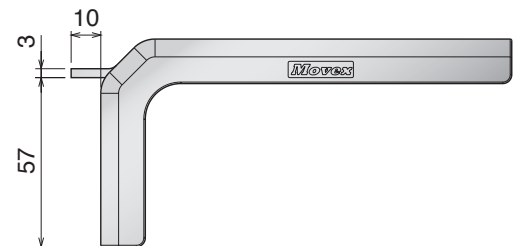
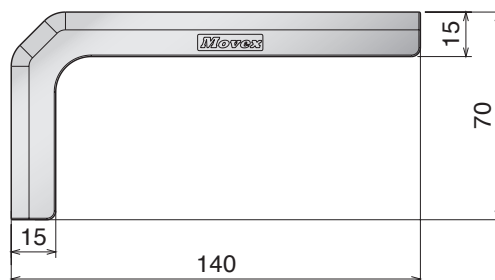
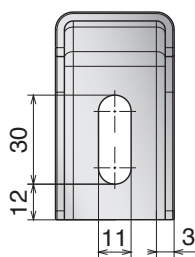


Part	Article-Nr.	Type
316	31601	A
316	31602	B

Stainless steel
AISI 304

Type A - without nose

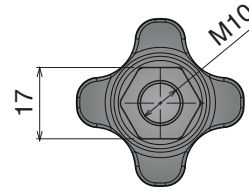
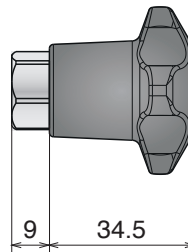
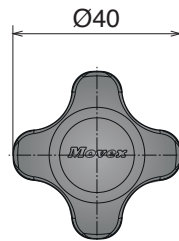
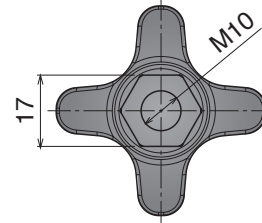
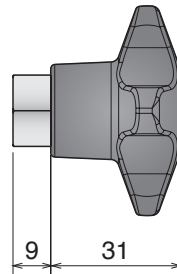
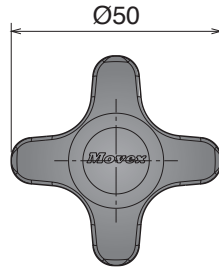
Type B - with nose



Materiale / Material / Materialien:
 Poliammide + ottone nichelato
 Polyamide + nickel plated brass
 Polyamid + Messing vernickelt

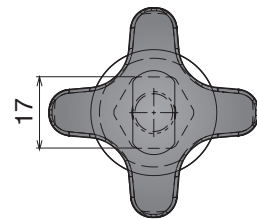
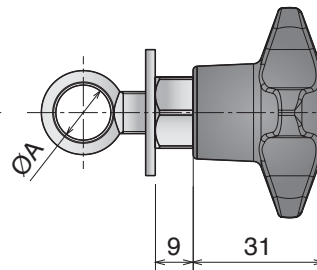
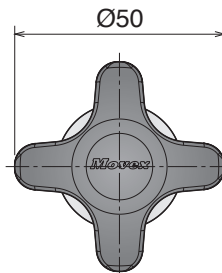
317 Volantino Star knob / Sterngriff

Part	Article-Nr.	Ø
317	31701	50
317	31702	40



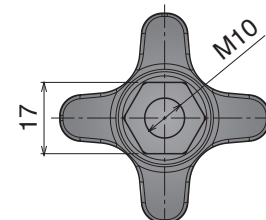
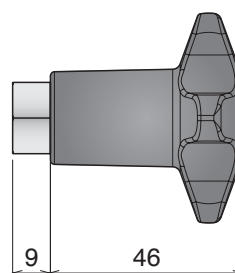
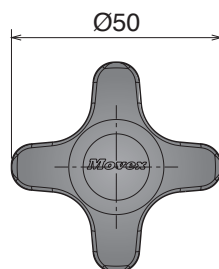
Volantino con tirante Star knob with eye-bolt / Sterngriff mit Augenschraube

Part	Article-Nr.	ØA
317	31799	12
317	31797	14
317	31798	16



318 Volantino Star knob / Sterngriff

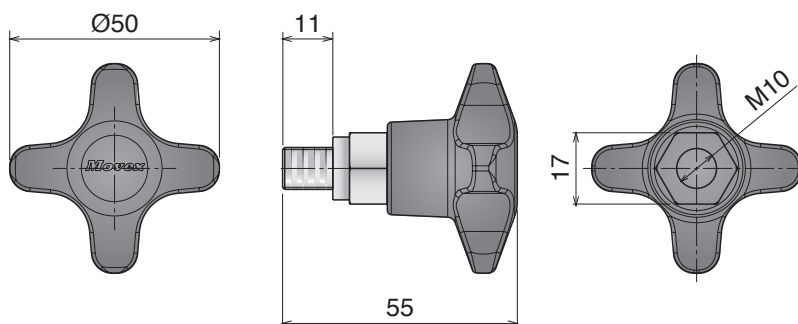
Part	Article-Nr.
318	31801



319 Volantino Star knob / Sterngriff



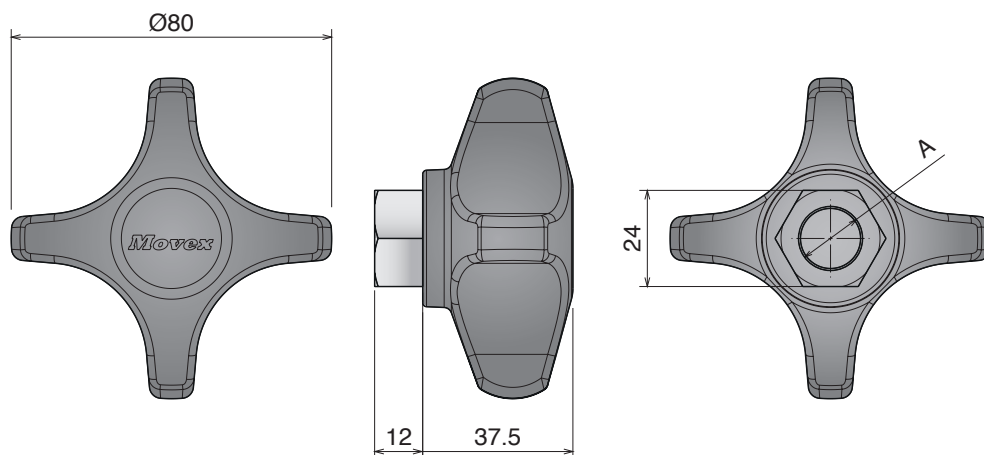
Part	Article-Nr.	Ø
319	31901	50



320 Volantino Ø80 Star knob Ø80 / Sterngriff Ø80



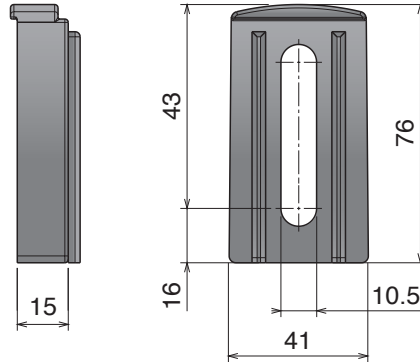
Part	Article-Nr.	A
320	32001	M12
320	32002	M16



321 Distanziale per supporto -piccolo-
 Spacer for bracket -small- / Distanzstück für Geländerhalter -klein-

Part	Article-Nr.
321	32101

321	32101
-----	-------

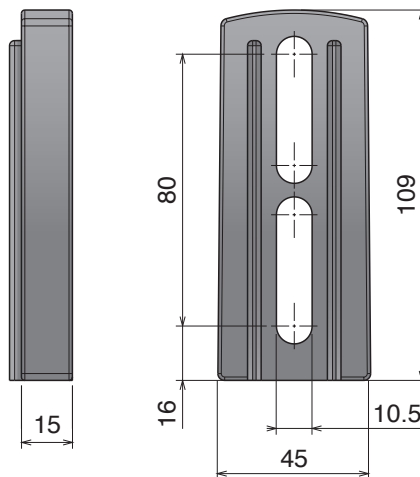


Use with bracket
 part. 301-302
 page 335

322 Distanziale per supporto -medio-
 Spacer for bracket -medium- / Distanzstück für Geländerhalter -medium-

Part	Article-Nr.
322	32201

322	32201
-----	-------

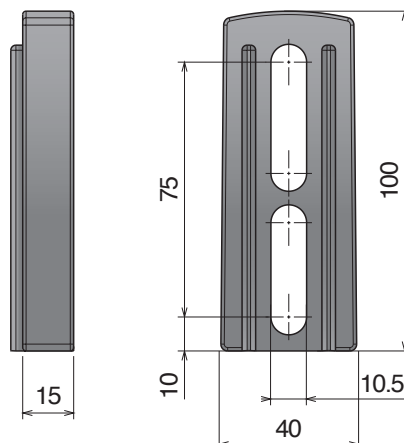


Use with bracket
 part. 305-306-307-308
 pages 336-337

323 Distanziale per supporto -grande-
 Spacer for bracket -large- / Distanzstück für Geländerhalter -groß-

Part	Article-Nr.
323	32301

323	32301
-----	-------

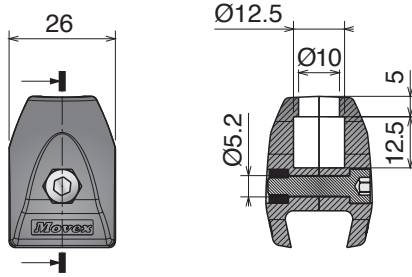


Use with bracket
 part. 309-310-311-312
 pages 338-339

324 Morsetto singolo per guida laterale conica Single clamp for conical side guide / Einfachklemme für konische Seitenführung

Part	Article-Nr.
------	-------------

324	32401
-----	-------

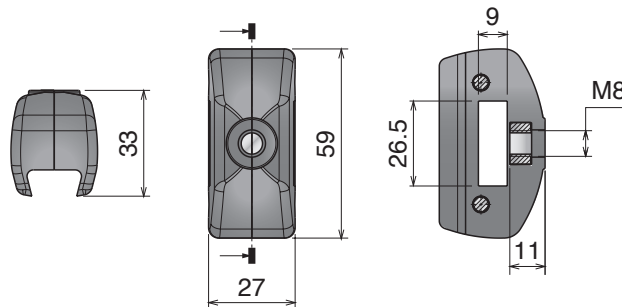


Consult pag 352
for pin design

325 Morsetto singolo per guida laterale conica Single clamp for conical side guide / Einfachklemme für konische Seitenführung

Part	Article-Nr.
------	-------------

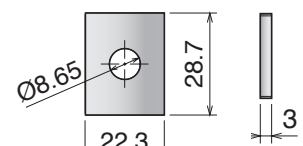
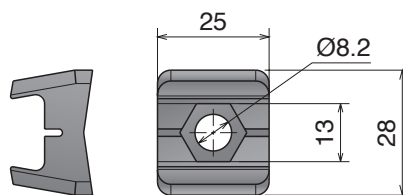
325	32501
-----	-------



326 Morsetto singolo per guida laterale conica Single clamp for conical side guide / Einfachklemme für konische Seitenführung

Part	Article-Nr.
------	-------------

326	32601
-----	-------

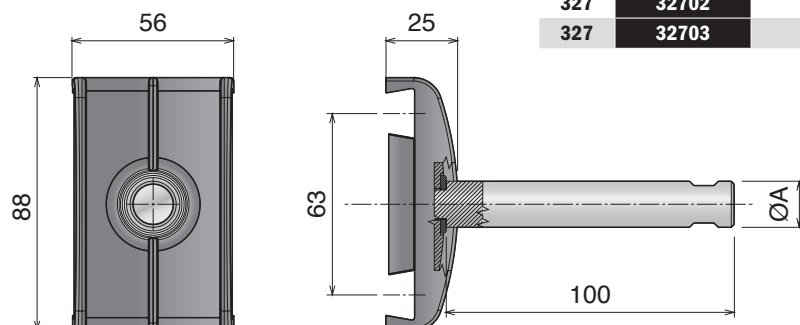


Reinforcement plate Art-Nr. 33201

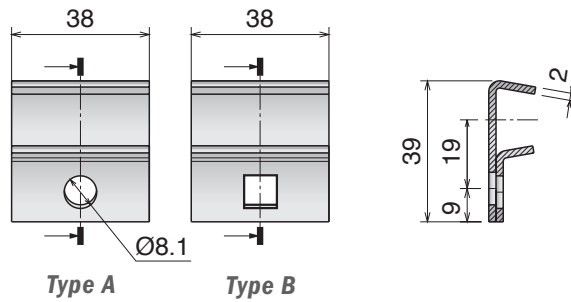
327 Morsetto doppio per guida laterale conica Double clamp for conical side guide / Doppelklemme für konische Seitenführung

Part	Article-Nr.	ØA
------	-------------	----

327	32701	without pin
327	32702	12
327	32703	16

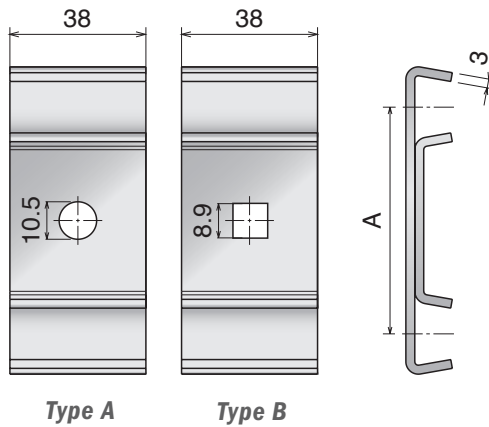


328 Morsetto singolo per guida laterale conica Single clamp for conical side guide / Einfachklemme für konische Seitenführung



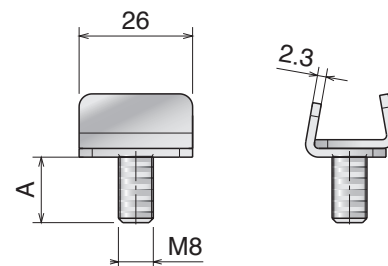
Part	Article-Nr.	Material	Type
328	32801	AISI 304	A
328	32802	AISI 304	B
328	32811	AISI 316	A

329 Morsetto doppio per guida laterale conica Double clamp for conical side guide / Doppelklemme für konische Seitenführung



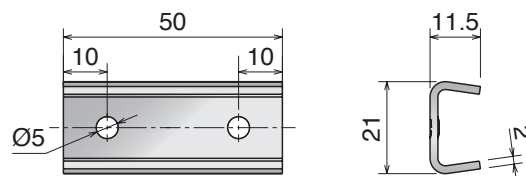
Part	Article-Nr.	A	Type
329	32904	50,0	A
329	32901	63,5	A
329	32902	82,55	A
329	32903	95,25	A
329	32911	63,5	B
329	32912	82,55	B
329	32913	95,25	B

330 Morsetto singolo per guida laterale conica Single clamp for conical side guide / Einfachklemme für konische Seitenführung



Part	Article-Nr.	A
330	33001	15
330	33002	26
330	33003	20
330	33004	30

390 Elemento di giunzione Connecting element / Verbinder



Part	Article-Nr.
390	39001

392-393-336

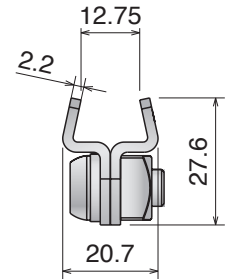
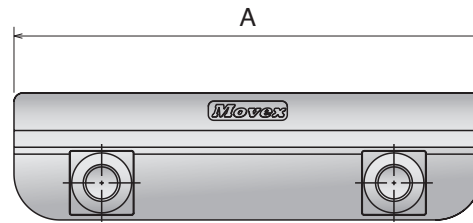
Componenti / Conveyor components / Komponenten

• **Materiale / Material / Materialien:** Acciaio inox / Stainless steel / Edelstahl
 Morsetti: Resina acetilica / Clamp: Acetal resin / Klemme: Azetal
 Vite, perno e dadi: Acciaio inox / Screw, pin and nut: Stainless steel
 Schraube, Bolzen und Mutter: Edelstahl

392 Elemento di connessione Connecting clamp / Verbindungsklemme

Stainless steel

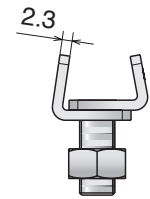
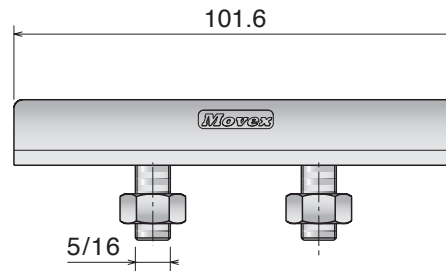
Part	Article-Nr.	A
392	39201	75
392	39202	100
392	39203	150



393 Elemento di connessione Connecting clamp / Verbindungsklemme

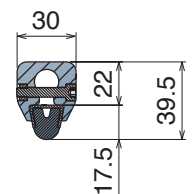
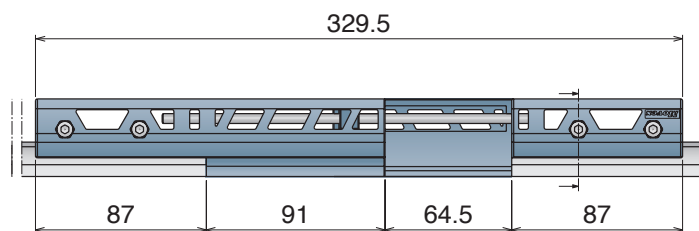
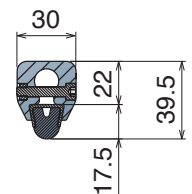
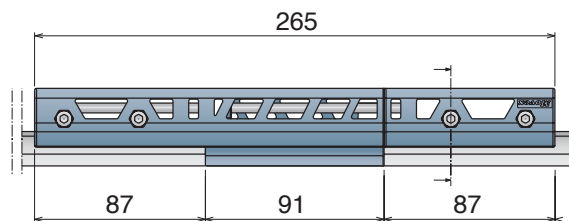
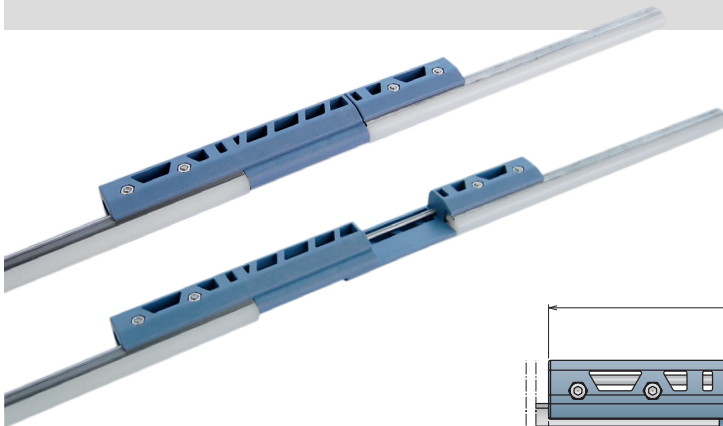
Stainless steel

Part	Article-Nr.
393	39302



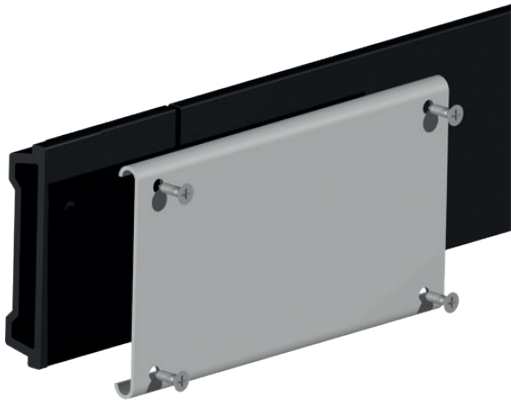
336 Morsetto aggiustabile guide coniche Adjustable clamp for conical guide / verstellbare Klemme für konische Führungen

Part	Article-Nr.
336	33601

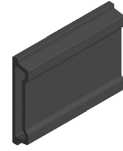


Materiale / Material / Materialien: Acciaio inox/Stainless steel/Edelstahl
 Morsetti: PA/Clamp: PA/Klemme: PA
 Vite, perno e rondelle: Acciaio inox/Screw, pin and washer: Stainless steel/Schraube, Bolzen und Scheibe: Edelstahl
 Dado: ottone nichelato/Nut: nickel plated brass/Mutter: Messing vernickelt

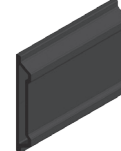
394 Morsetto di giunzione Joint clamp / Verbindungsplatte



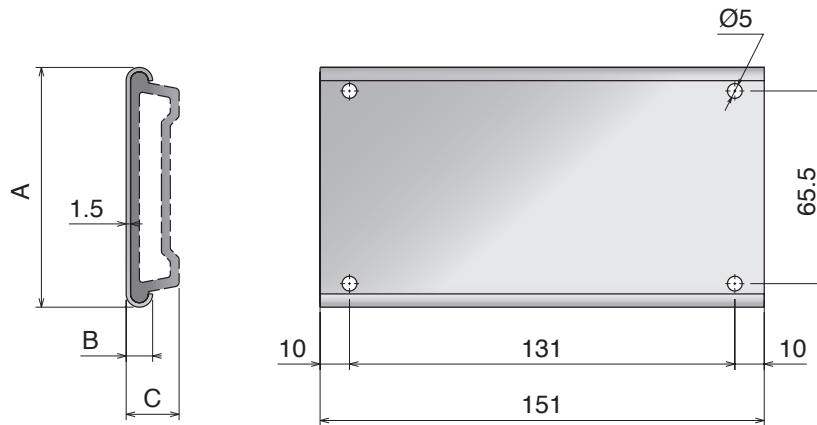
Part	Article-Nr.	A	B	C	Specific
394	39401	81,5	9	18	used with part 135
394	39402	90	8	17	used with part 136



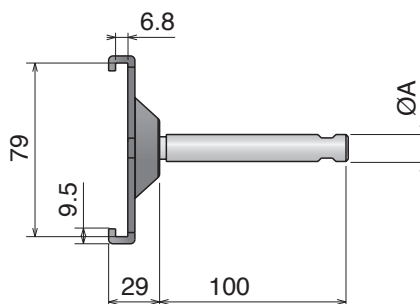
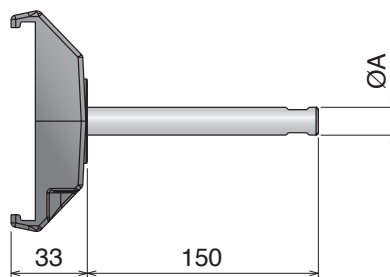
Used with
 Part 135
 page 308



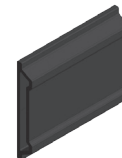
Used with
 Part 136
 page 308



341 Morsetto Clamp / Klemme

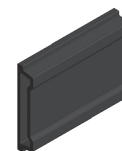


Part	Article-Nr.	ØA	Type
341	34101	without pin	A
341	34102	12	A
341	34103	16	A



Used with
 Part 136
 page 308

Part	Article-Nr.	ØA	Type
341	34111	without pin	B
341	34112	12	B
341	34113	16	B



Used with
 Part 135
 page 308

Materiale / Material / Materialien:

Morsetti: acciaio inox/Clamp: SS/Klemme: Edelstahl

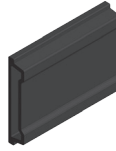
Viti e perno: Acciaio inox/Screws and pin: Stainless steel/Schraube und Bolzen:Edelstahl

Dadi: ottone nichelato/Nuts: nickel plated brass/Mutter: Messing vernickelt

331 Morsetto acciaio inox Clamp, stainless steel / Klemme, Edelstahl



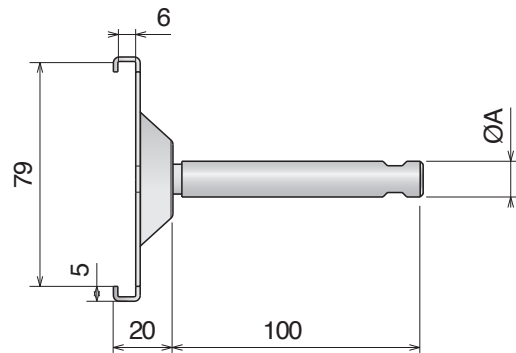
Part	Article-Nr.	ØA
331	33101	without pin
331	33102	12
331	33103	16



Used with
Part 135
page 308



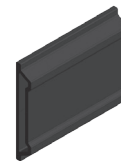
Used with
Part 189 page 314
Part 187 page 315
Part 1056 page 316
Part 1057 page 316



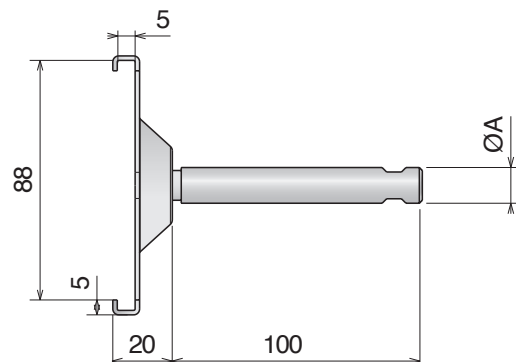
345 Morsetto acciaio inox Clamp, stainless steel / Klemme, Edelstahl



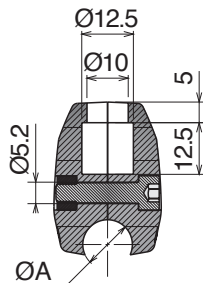
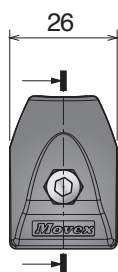
Part	Article-Nr.	ØA
345	34501	without pin
345	34502	12
345	34503	16



Used with
Part 136
page 308



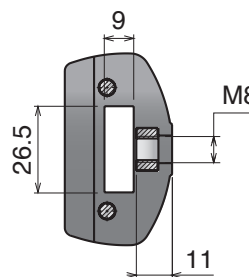
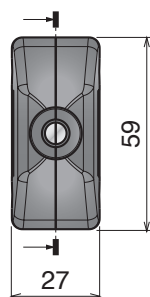
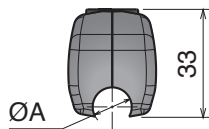
337 Morsetto singolo per tondino Single clamp for round bar / Einfachklemme für Rund Profil



Part	Article-Nr.	ØA
337	33701	10
337	33702	12

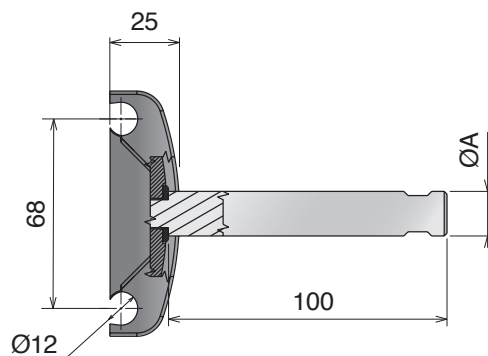
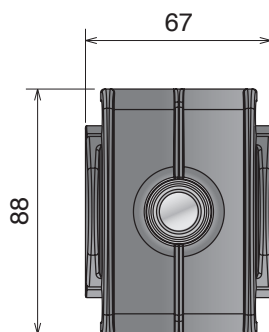
Consult pag 352
for pin design

338 Morsetto singolo per tondino Single clamp for round bar / Einfachklemme für Rund Profil



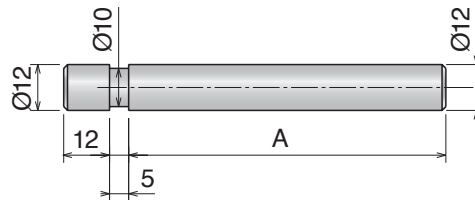
Part	Article-Nr.	ØA
338	33801	10
338	33802	12

339 Morsetto doppio per tondino Double clamp for round bar / Doppelklemme für Rund Profil

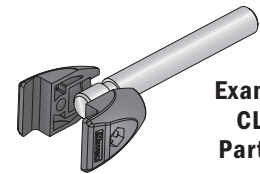


Part	Article-Nr.	ØA
339	33901	without pin
339	33902	12
339	33903	16

349 Perno Rod / Bolzen

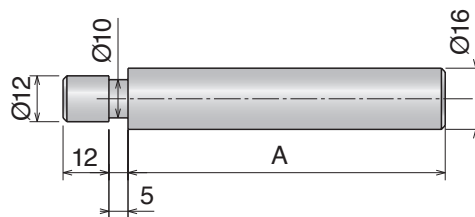


Part	Article-Nr.	A
349	34901	80
349	34902	100
349	34903	150

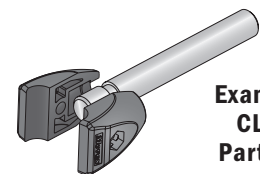


Example:
CLAMP
Part 324

350 Perno Rod / Bolzen

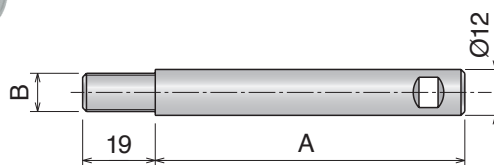
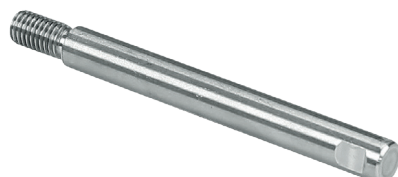


Part	Article-Nr.	A
350	35001	80
350	35002	100
350	35003	150

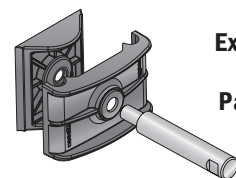


Example:
CLAMP
Part 337

351 Perno Rod / Bolzen

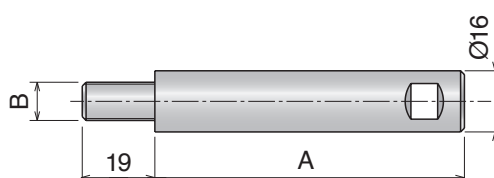


Part	Article-Nr.	A	B
351	35101	80	M10
351	35102	100	M10
351	35103	150	M10
351	35151	80	M8
351	35152	100	M8
351	35153	150	M8



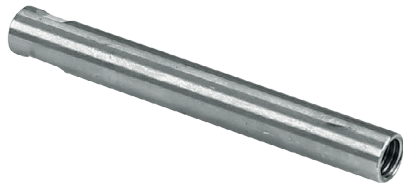
Example:
CLAMP
Part 339

352 Perno Rod / Bolzen

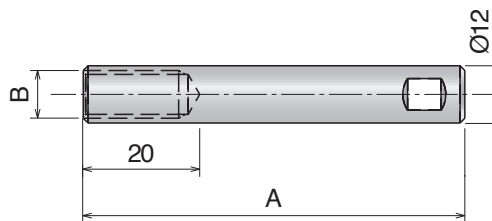


Part	Article-Nr.	A	B
352	35201	80	M10
352	35202	100	M10
352	35203	150	M10
352	35251	80	M8
352	35252	100	M8
352	35253	150	M8

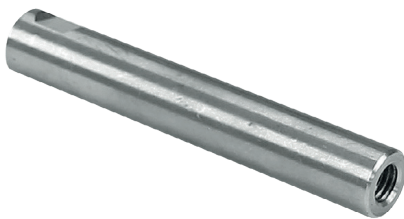
347 Perno filettato femmina Rod / Bolzen



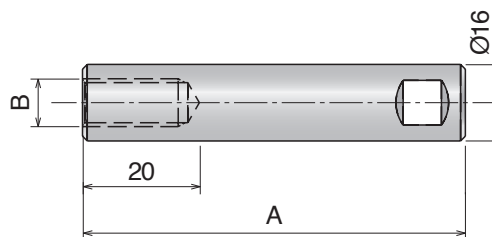
Part	Article-Nr.	A	B
347	34701	80	M10
347	34702	100	M10
347	34703	150	M10
347	34751	80	M8
347	34752	100	M8
347	34753	150	M8



348 Perno filettato femmina Rod / Bolzen



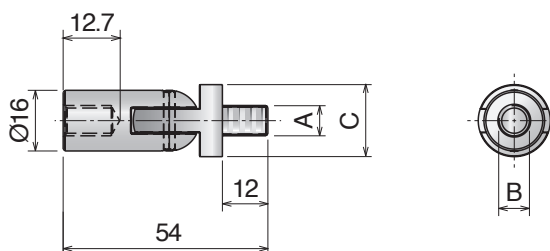
Part	Article-Nr.	A	B
348	34801	80	M10
348	34802	100	M10
348	34803	150	M10
348	34851	80	M8
348	34852	100	M8
348	34853	150	M8



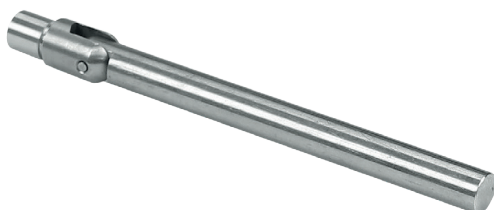
346 Snodo Joint rod adapter / Gelenk



Part	Article-Nr.	A	B	C
346	34601	M8	M8	19
346	34602	M8	M10	19
346	34603	M10	M10	19
346	34699	M8	M8	16

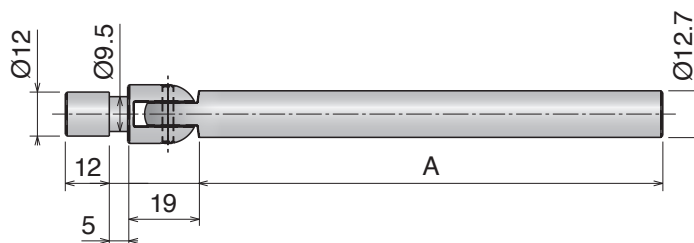


356 Perno snodato Jointed rods / Gelenkbolzen

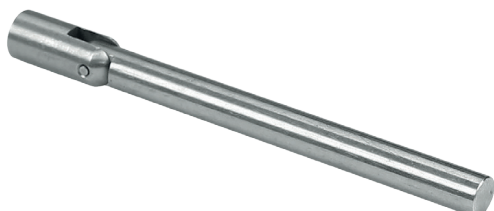


Part	Article-Nr.	A
356	35601	80
356	35602	100
356	35603	150

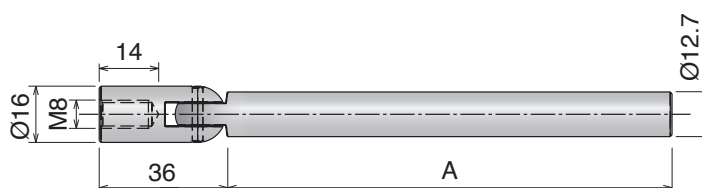
Use with bracket
Part 324-337



357 Perno snodato Jointed rods / Gelenkbolzen



Part	Article-Nr.	A
357	35701	80
357	35702	100
357	35703	150

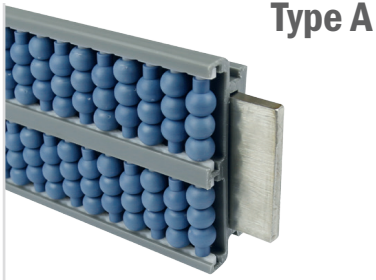


Materiale / Material / Materialien:
 Polietilene HMW-PE / Polyethylene HMW-PE / Polyethylen HMW-PE
 Rulli: resina acetalica o gomma SEBS / Rollers: Acetal Resin or SEBS
 rubber / Röllchen: Azetal oder SEBS gummi

335 Guide a rulli laterale
 Roller guides / Röllchenführung

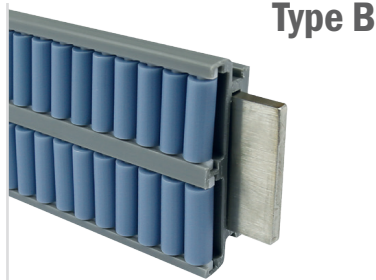
New Patented

Max fixing load M8 screw: 15 N/m



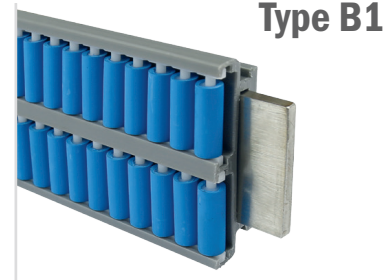
Type A

Part	Article-Nr.	Type
335	33502	A



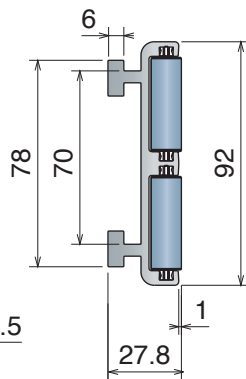
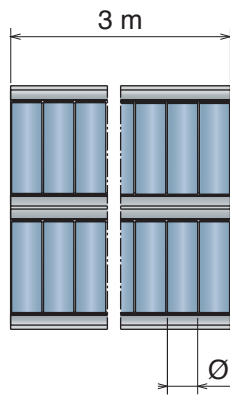
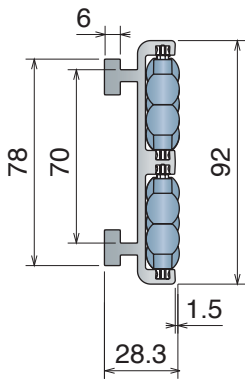
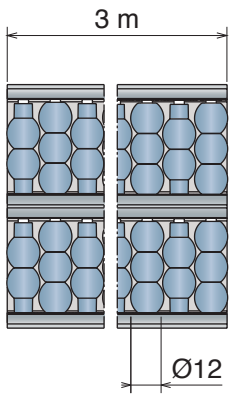
Type B

Part	Article-Nr.	Type
335	33504	B

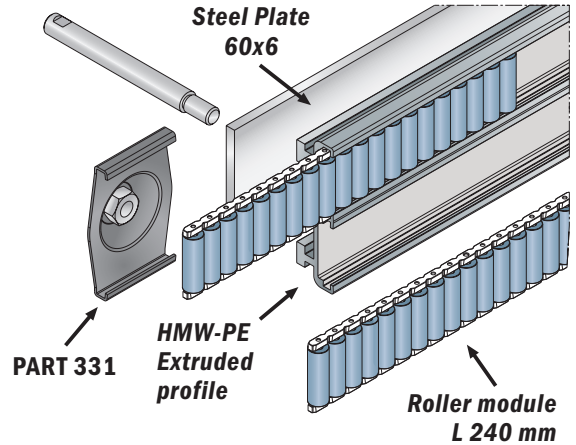
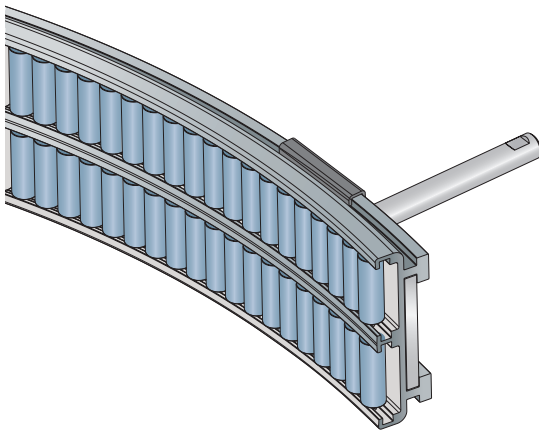


Type B1

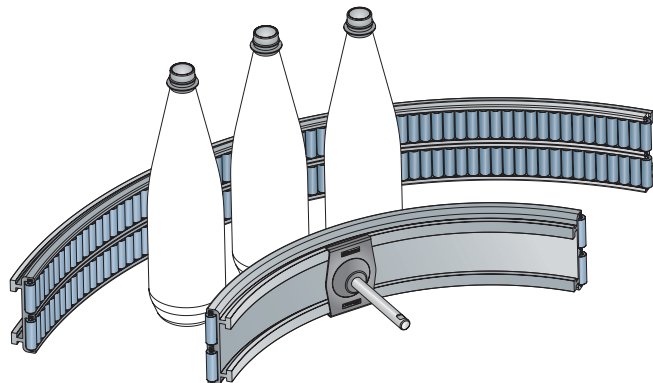
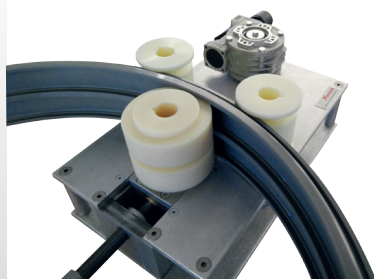
Part	Article-Nr.	Type
335	33506	B1



**Soft roller
SEBS rubber**



**Available roller
for bending
machine**



Materiale / Material / Materialien:

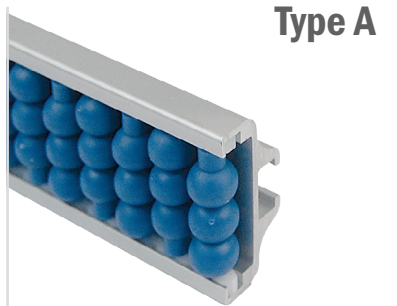
Guida: alluminio anodizzato / Guide: anodized aluminum / Führung: eloxiertem Aluminium

Rulli: resina acetica o gomma SEBS / Rollers: Acetal Resin or SEBS rubber / Röllchen: Acetal oder SEBS gummi

Vite: Acciaio inox / Screw: Stainless steel / Schrauben: Edelstahl

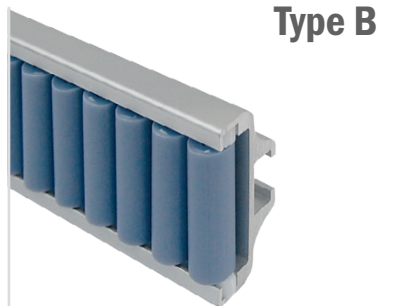
358 Guide a rulli laterale Roller guides / Röllchenführung

Max fixing load M8 screw: 15 N/m



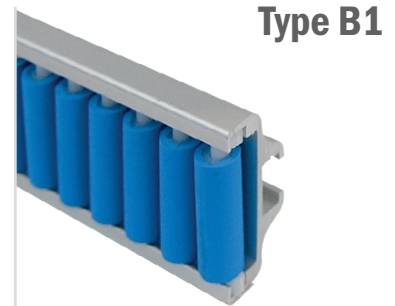
Type A

Part	Article-Nr.	Type
358	35802	A



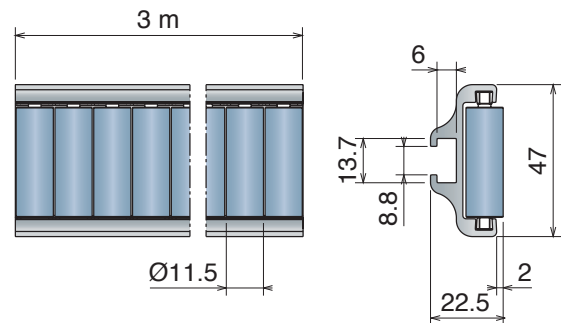
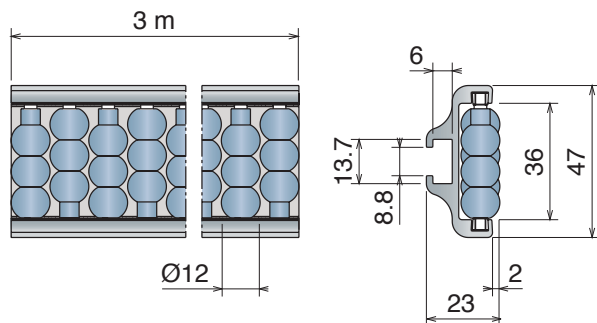
Type B

Part	Article-Nr.	Type
358	35804	B



Type B1

Part	Article-Nr.	Type
358	35806	B1



**Soft roller
SEBS rubber**

**Roller
page 300**



**Fixing screw:
M8 hex.head
or PART 362**



Puntale / Shoe / Einlaufschuh



Part	Article-Nr.	Type
364	36401	fresato/machined/gefräst

Materiale / Material / Materialien:

Guida: alluminio anodizzato / Guide: anodized aluminum / Führung: eloxiertem Aluminium

Rulli: resina acetilica o gomma SEBS / Rollers: Acetal Resin or SEBS rubber / Röllchen: Azetal oder SEBS gummi

Vite: Acciaio inox Screw: Stainless steel Schrauben: Edelstahl

359

Guide a rulli laterale
Roller guides / Röllchenführung

Max fixing load M8 screw: 15 N/m



Type A

Part	Article-Nr.	Type
359	35902	A



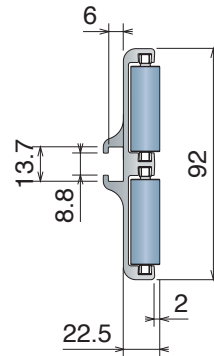
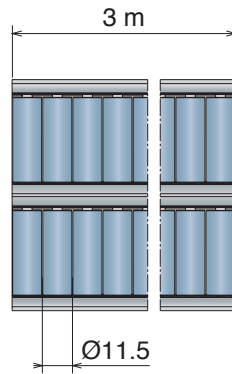
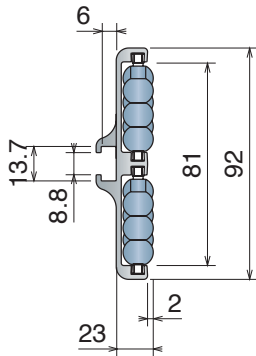
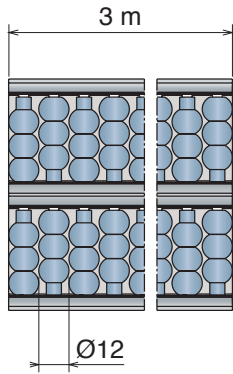
Type B

Part	Article-Nr.	Type
359	35904	B



Type B1

Part	Article-Nr.	Type
359	35906	B1



Soft roller
SEBS rubber

Roller
page 300



Fixing screw:
M8 hex. head
or PART 362



Puntale / Shoe / Einlaufschuh

Part	Article-Nr.	Type
365	36501	fresato/machined/gefräst




Materiale / Material / Materialien:

Guida: alluminio anodizzato / Guide: anodized aluminum / Führung: eloxiertem Aluminium
 Rulli: resina acetica o gomma SEBS / Rollers: Acetal Resin or SEBS rubber / Röllchen: Azetal oder SEBS gummi

360 Guide a rulli intermedia Roller guides / Röllchenführung


Max fixing load M8 screw: 15 N/m

Type A




Part	Article-Nr.	Type
360	36002	A

Type B

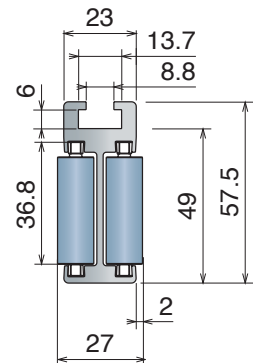
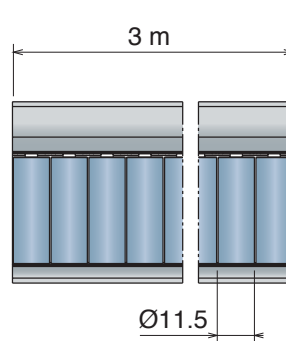
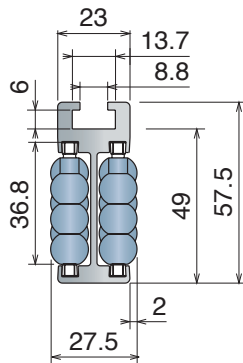
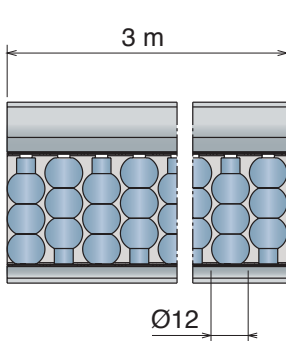


Part	Article-Nr.	Type
360	36004	B

Type B1



Part	Article-Nr.	Type
360	36006	B1



**Soft roller
 SEBS rubber**

**Roller
 page 300**



**Fixing screw:
 M8 hex.head
 or PART 362**



Puntale / Shoe / Einlaufschuh



Part	Article-Nr.	Type
366	36601	fresato/machined/gefräst

Materiale / Material / Materialien:

Guida: alluminio anodizzato / Guide: anodized aluminum / Führung: eloxiertem Aluminium
 Rulli: resina acetilica o gomma SEBS / Rollers: Acetal Resin or SEBS rubber / Röllchen: Azetal oder SEBS gummi

361 Guide a rulli intermedia
 Roller guides / Röllchenführung

Max fixing load M8 screw: 15 N/m



Type A

Part	Article-Nr.	Type
361	36102	A



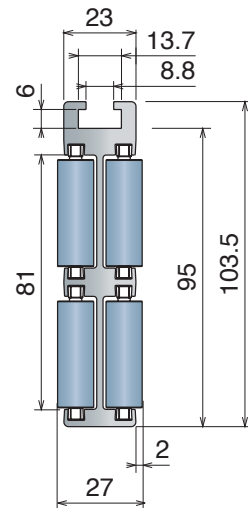
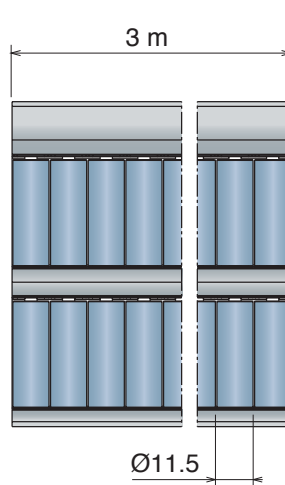
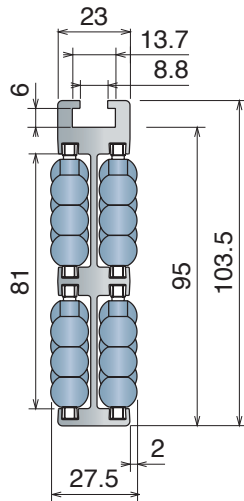
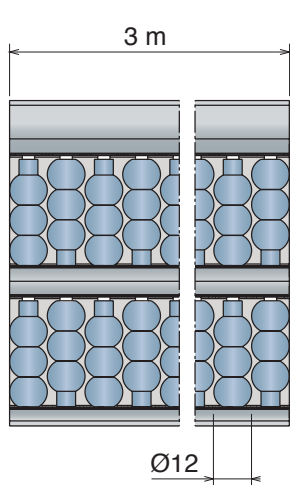
Type B

Part	Article-Nr.	Type
361	36104	B



Type B1

Part	Article-Nr.	Type
361	36106	B1



**Soft roller
SEBS rubber**

**Roller
page 300**



**Fixing screw:
M8 hex. head
or PART 362**



Puntale / Shoe / Einlaufschuh



Part	Article-Nr.	Type
367	36701	fresato/machined/gefräst

366-367

Componenti / Conveyor components / Komponenten

• **Materiale / Material / Materialien:** Puntale: PE HD / Shoe: PE HD / Corpus: PE HD
 Perni: acciaio inox / Pins: SS / Bolzen: Edelstahl
 Rulli: resina acetilica o gomma SEBS / Rollers: Acetal Resin or SEBS rubber
 Röllchen: Azetal oder SEBS gummi

366 Puntale centrale a rulli Central roller shoe / Einlaufschuh mitting

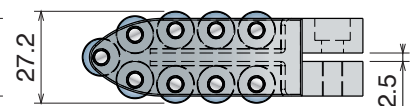
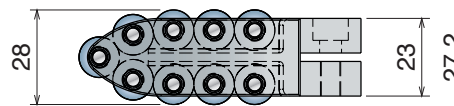
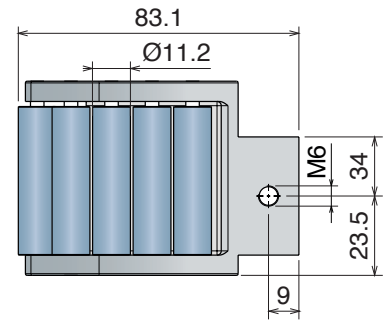
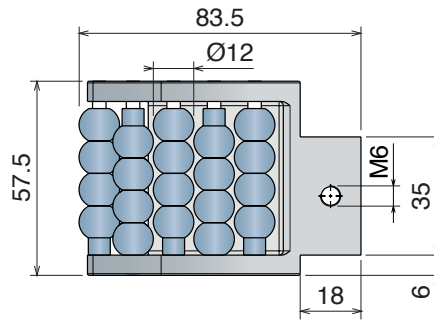
Patented



Part	Article-Nr.	Type
366	36621	A
366	36622	B
366	36623	B1



Type B1
Soft roller
SEBS rubber



Type A

Type B

367 Puntale centrale a rulli Central roller shoe / Einlaufschuh mitting

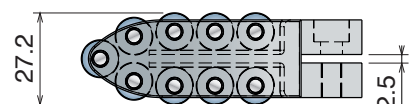
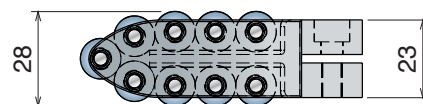
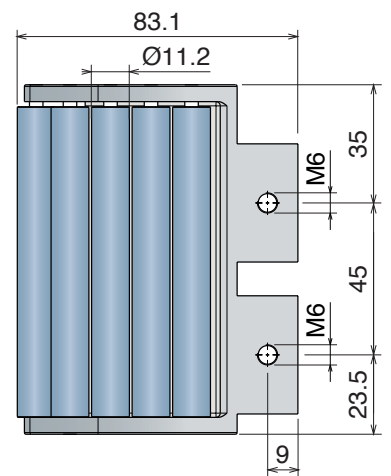
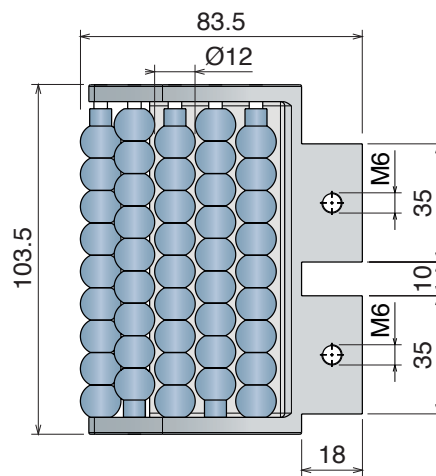
Patented



Part	Article-Nr.	Type
367	36721	A
367	36722	B
367	36723	B1



Type B1
Soft roller
SEBS rubber



Type A

Type B

Materiale / Material / Materialien: Puntale: PE HD/Shoe: PE HD/Corpus: PE HD
 Perni: acciaio inox/Pins: SS/Bolzen: Edelstahl
 Rulli: resina acetatica o gomma SEBS/Rollers: Acetal Resin or SEBS rubber
 Röllchen: Azetal oder SEBS gummi

364-365

Componenti / Conveyor components / Komponenten

364 Puntale laterale a rulli Side roller shoe / Einlaufschuh seitlich

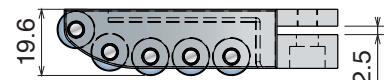
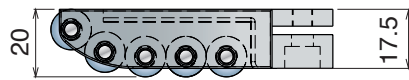
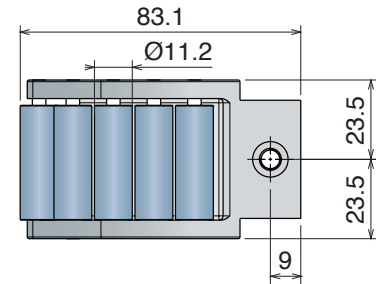
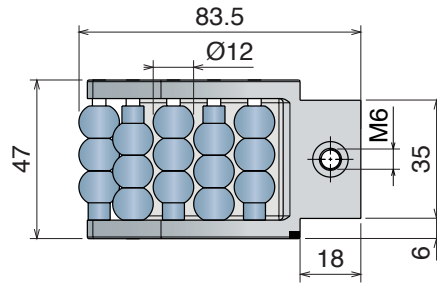
Patented



Part	Article-Nr.	Type
364	36421	A
364	36422	B
364	36423	B1



Type B1
Soft roller
SEBS rubber



Type A

Type B

365 Puntale laterale a rulli Side roller shoe / Einlaufschuh seitlich

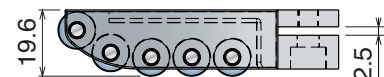
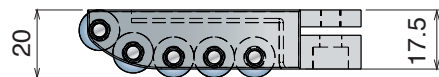
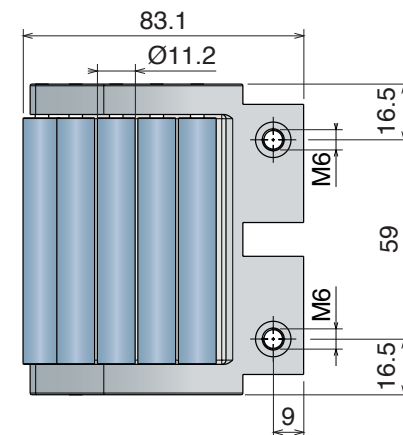
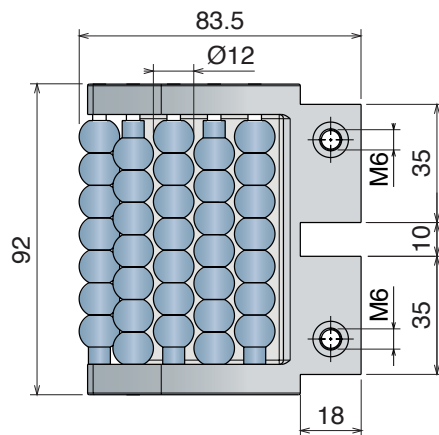
Patented



Part	Article-Nr.	Type
365	36521	A
365	36522	B
365	36523	B1



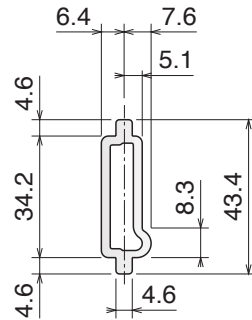
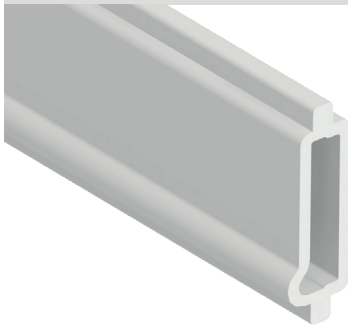
Type B1
Soft roller
SEBS rubber



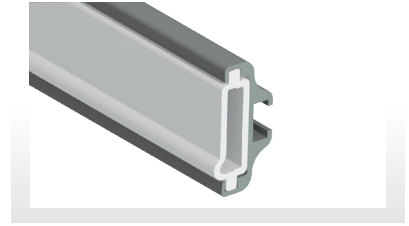
Type A

Type B

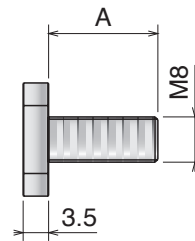
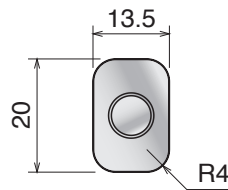
395 Guida laterale in PE PE side guides / Seitenführung in PE



Part	Article-Nr.	L
395	39501	3 m

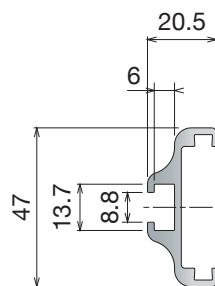
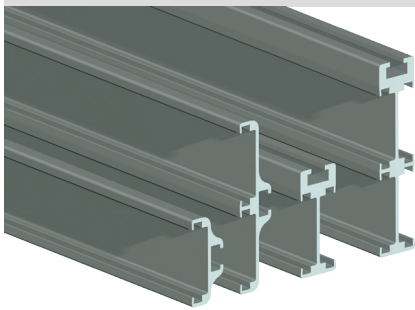


362 Vite a "T" T-bolt / T-Schraube

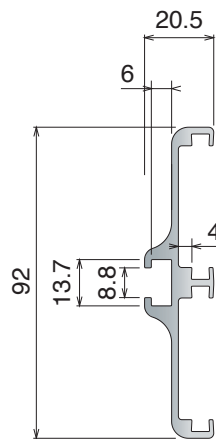


Part	Article-Nr.	A
362	36201	16
362	36202	19
362	36203	25

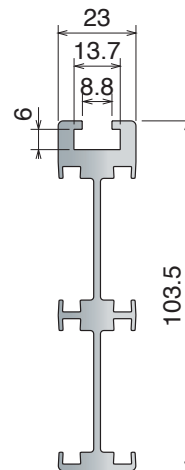
358 Guide in alluminio Aluminum guides / Aluminiumführung



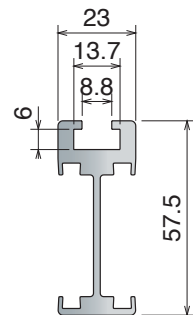
35800



35900



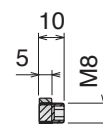
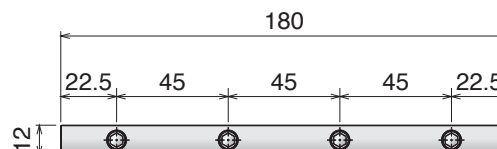
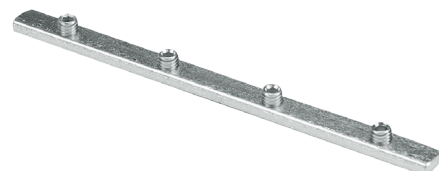
36100



36000

Part	Article-Nr.	Version	Min. radius
358	35800	Single-lateral	250
359	35900	Double-lateral	500
360	36000	Single-central	500
361	36100	Double-central	750

333 Elemento di giunzione Connecting elements / Verbindungselement

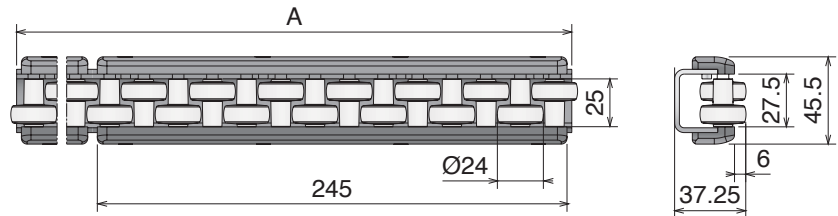


Part	Article-Nr.
333	33301

353 Guide a rulli di accumulo Accumulation roller guides / Stauröllchenführung



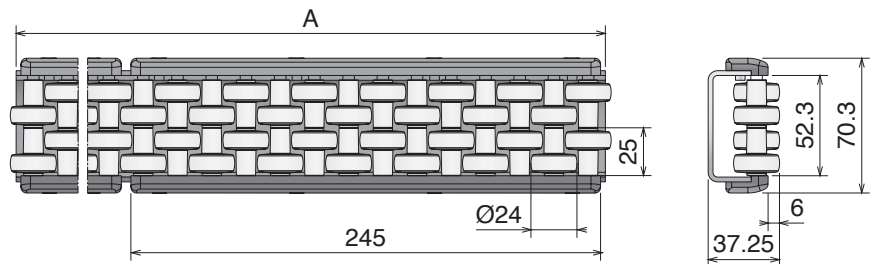
Part	Article-Nr.	A	Pin	Pin DIA
353	35301	1 m	PA	6
353	35302	2 m	PA	6
353	35303	3 m	PA	6



354 Guide a rulli di accumulo Accumulation roller guides / Stauröllchenführung



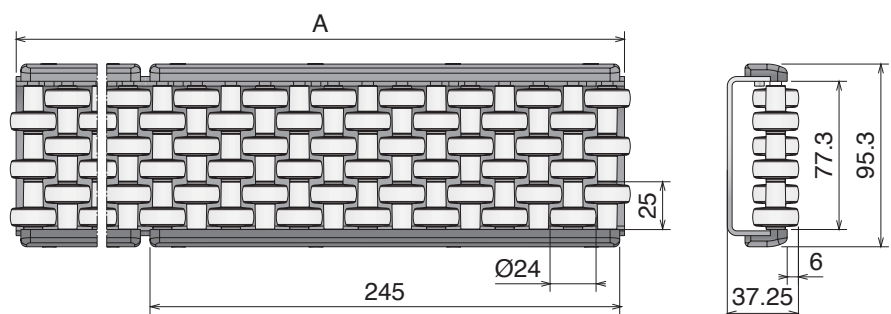
Part	Article-Nr.	A	Pin	Pin DIA
354	35401	1 m	PA	6
354	35402	2 m	PA	6
354	35403	3 m	PA	6



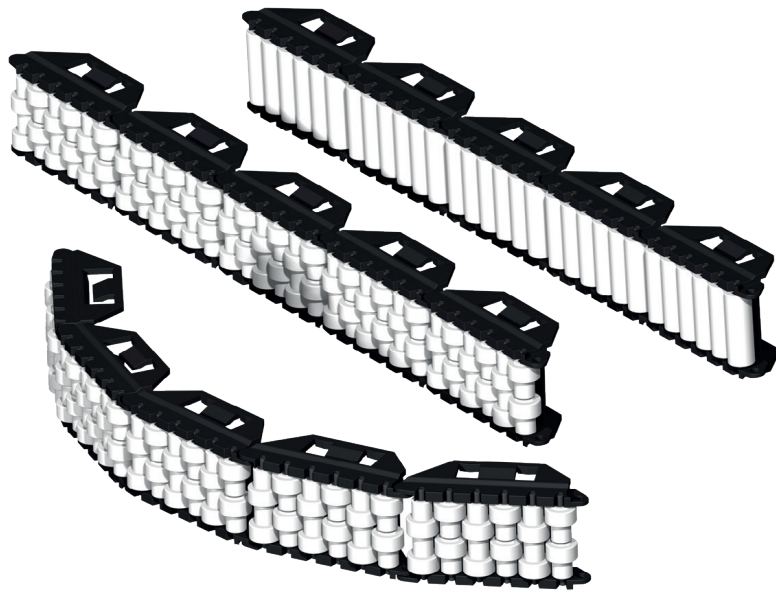
355 Guide a rulli di accumulo Accumulation roller guides / Stauröllchenführung



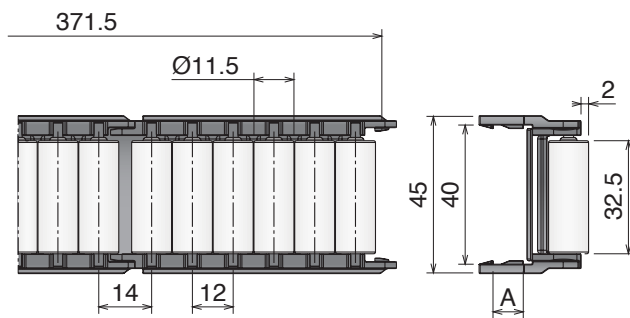
Part	Article-Nr.	A	Pin	Pin DIA
355	35501	1 m	SS	6
355	35502	2 m	SS	6
355	35503	3 m	SS	6



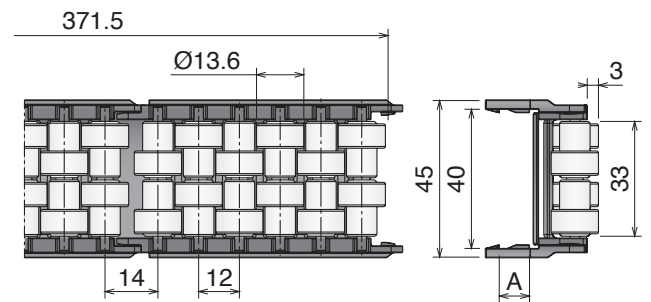
363 Guida a rulli flessibile Flexible roller guide / Flexible Röllchenführung



Part	Article-Nr.	Type	A
363	36301	A	8
363	36302	B	8
363	36303	A	10
363	36304	B	10

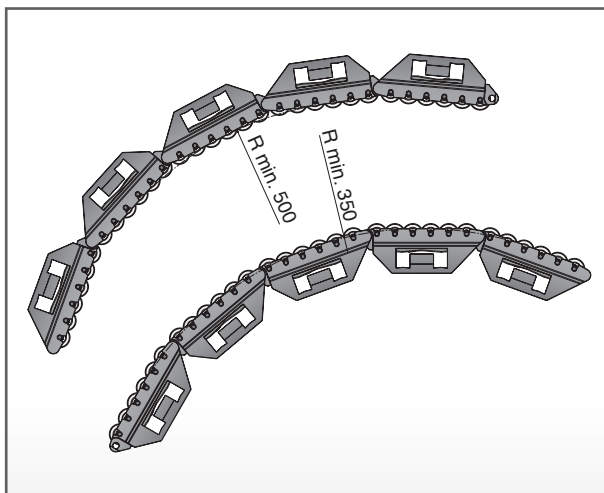


Type A

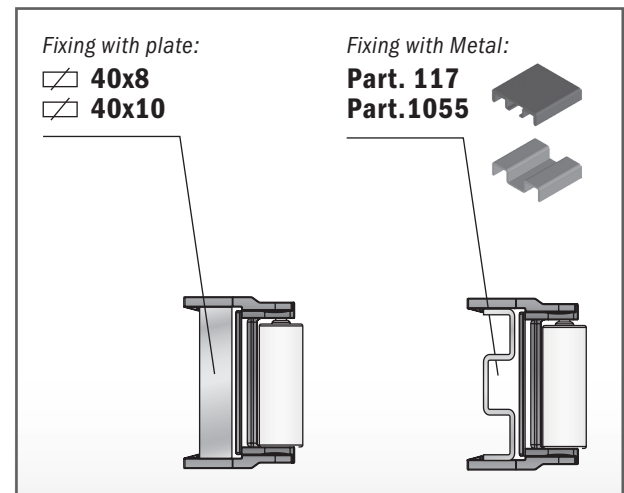


Type B

Curvature radius



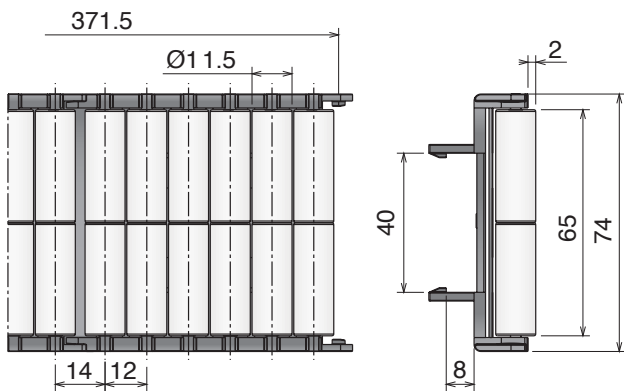
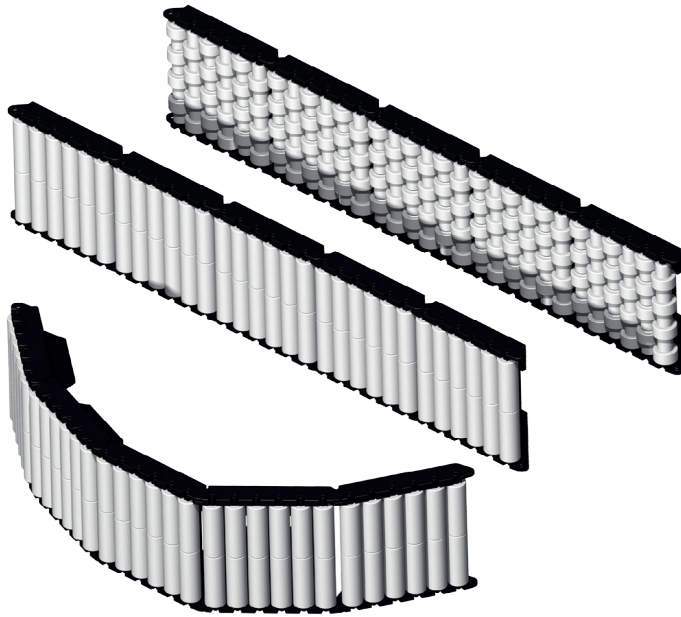
Fixing with plate and metal profile



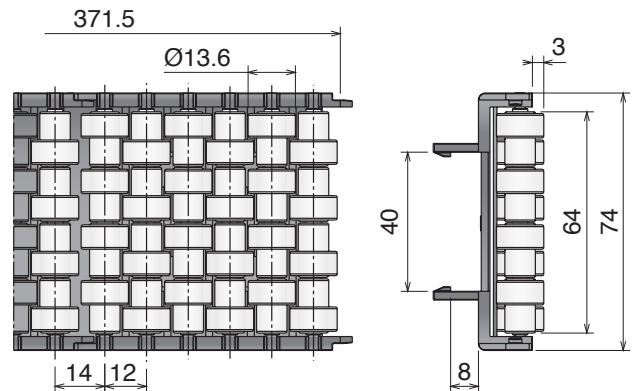
396 Guida a rulli flessibile

Flexible roller guide / Flexible Röllchenführung

Part	Article-Nr.	Type
396	39601	A
396	39602	B

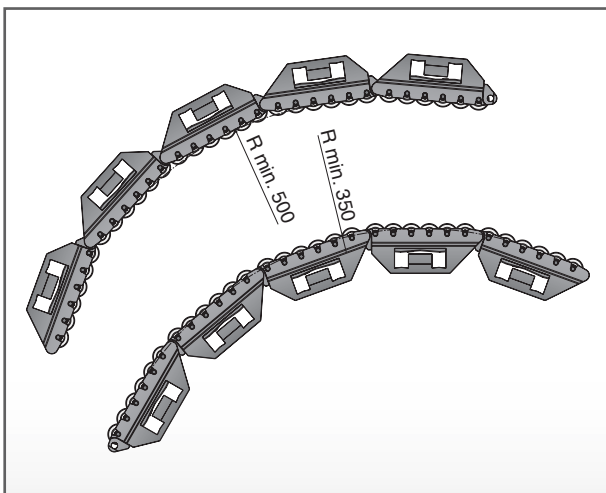


Type A

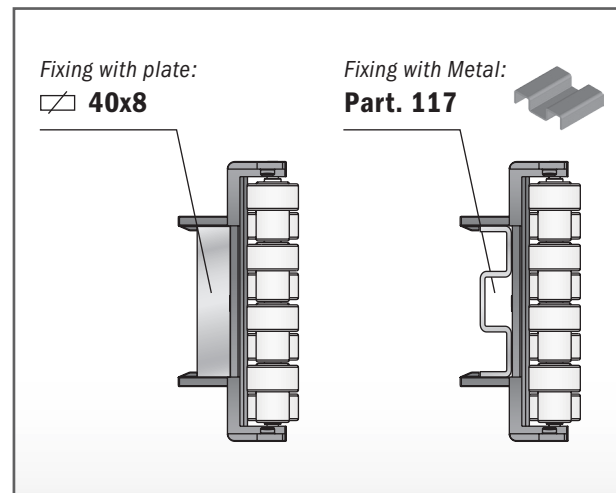


Type B

Curvature radius



Fixing with plate and metal profile

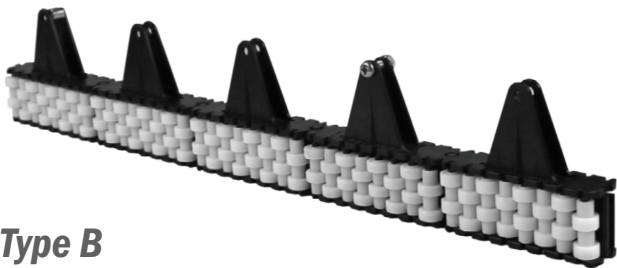
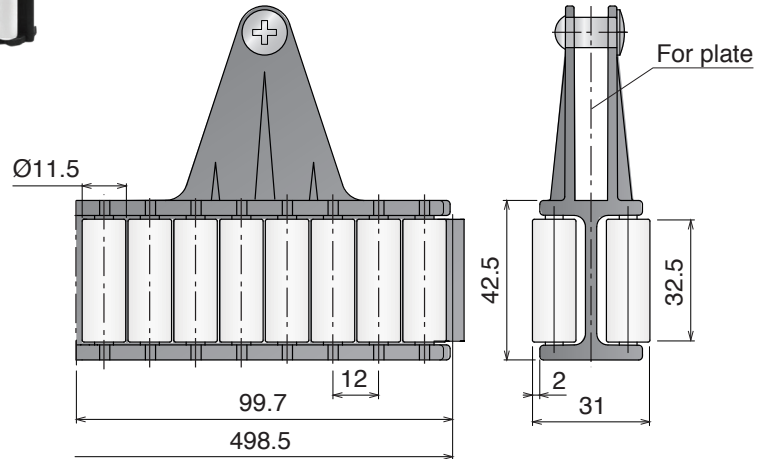


363 Guida a rulli flessibile (centrale) Flexible roller guide (Centre) / Flexible Röllchenführung (Zentral)

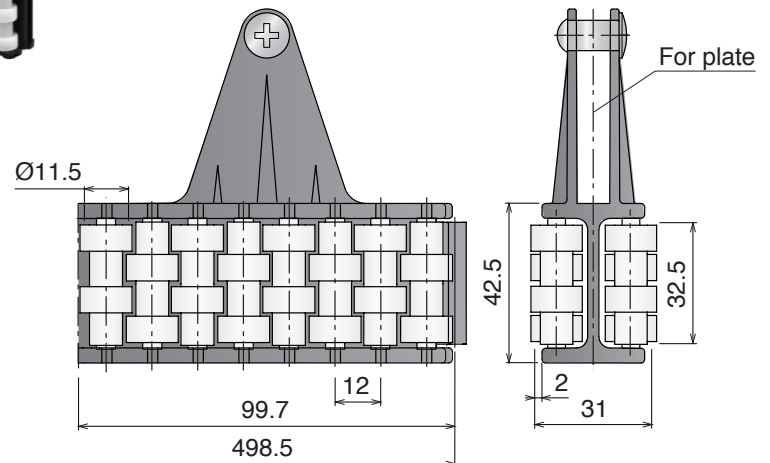
Part	Article-Nr.	Type	for plate
363	36313	A	40x8
363	36311	A	40x10
363	36314	B	40x8
363	36312	B	40x10



Type A

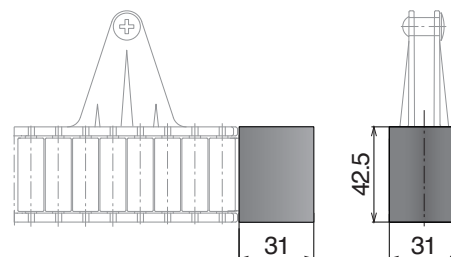


Type B



Puntale / Shoe / Einlaufschuh

Part	Article-Nr.	For Type
363	36399	A & B



Use with
Flexible roller guide
(Central version)
Part 363

Materiale / Material / Materialien:

Base: Alluminio / Base: Aluminum / Grundplatte: Aluminium

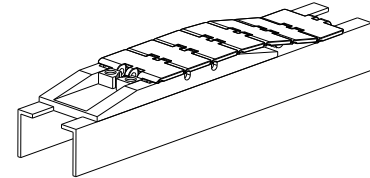
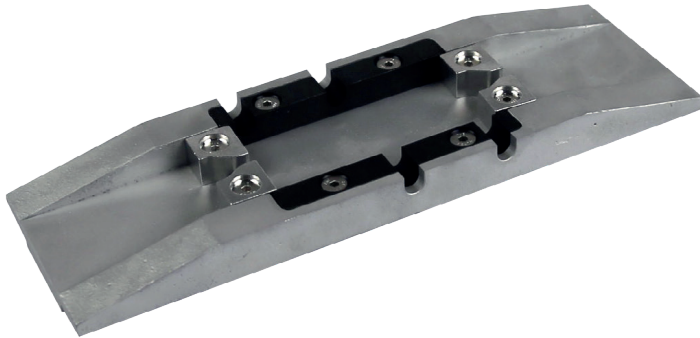
Parti di adattamento: Acciaio inox / adapter parts: stainless steel

Adaptertelle: Edelstahl

199

Blocco di montaggio catena
Chain mounting block / Kettenmontageblock

Part	Article-Nr.	A	B	C
199	19980	45	80	40
199	19981	60	100	55
199	19982	45	80	40



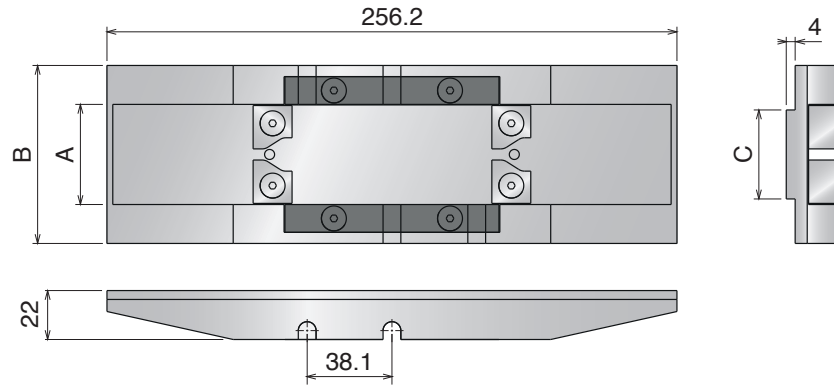
Chain mounting block application

19980

Chain mounting block for series:

Steel chain: 812/815 (GT)
 881 M (GT)

Plastic chain: 820 (GT)
 831

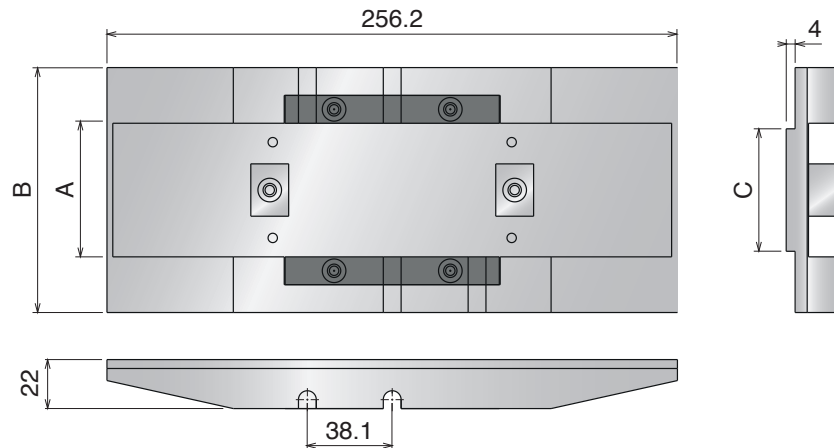


19981

Chain mounting block for series:

Steel chain: 8157 (GT)
 8857 M (GT/LBP)

Plastic chain: 8257 (GT/LBP)
 8857 (GT/LBP)
 882 Bevel

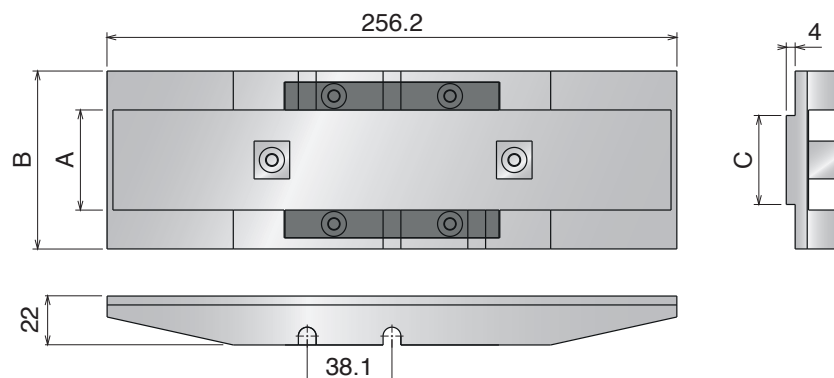


19982

Chain mounting block for series:

Steel chain: 812/815 (GT)
 881 M (GT)

Plastic chain: 828 (GT/LBP)
 880 M
 880 Bevel
 879 M
 879 Bevel



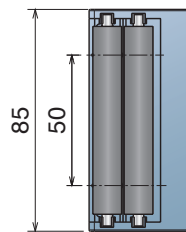
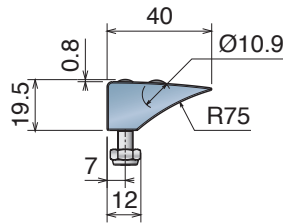
368 Moduli di trasferimento L=85 mm Transfer modules L=85 mm / Überschubmodul L=85 mm



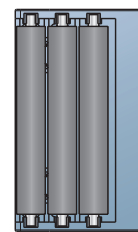
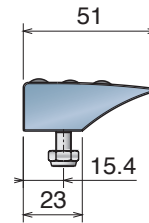
Part	Article-Nr.	Type	Roller material
368	36801	A	Acetal resin
368	36802	B	Acetal resin
368	36803	C	Acetal resin
368	36801SS	A	Stainless steel
368	36802SS	B	Stainless steel
368	36803SS	C	Stainless steel



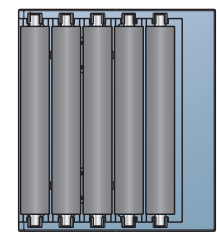
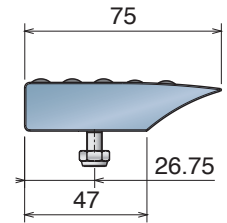
Smart Roll
 with mini
 bearing
 in stainless
 steel



Type A

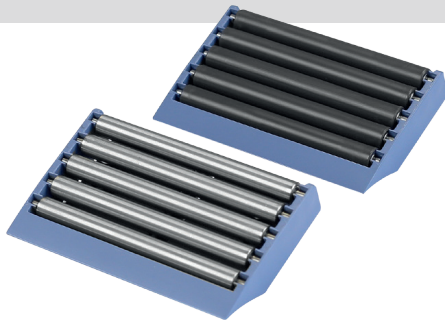


Type B



Type C

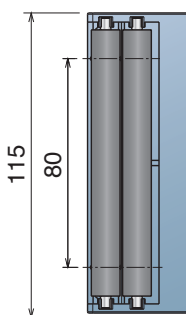
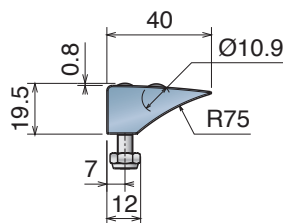
369 Moduli di trasferimento L=115 mm Transfer modules L=115 mm / Überschubmodul L=115 mm



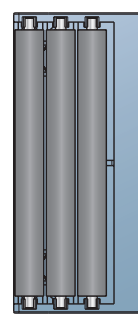
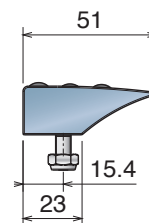
Part	Article-Nr.	Type	Roller material
369	36901	A	Acetal resin
369	36902	B	Acetal resin
369	36903	C	Acetal resin
369	36901SS	A	Stainless steel
369	36902SS	B	Stainless steel
369	36903SS	C	Stainless steel



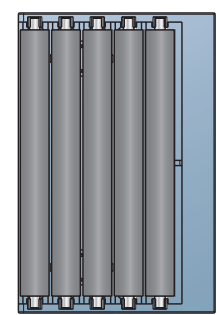
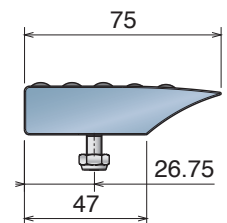
Smart Roll
 with mini
 bearing
 in stainless
 steel



Type A

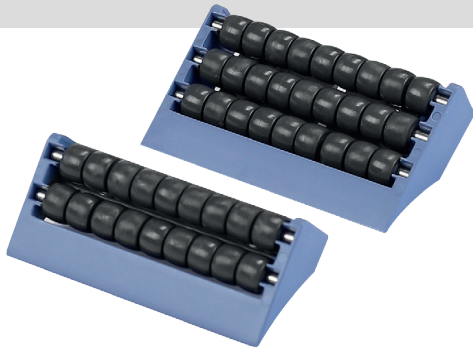


Type B

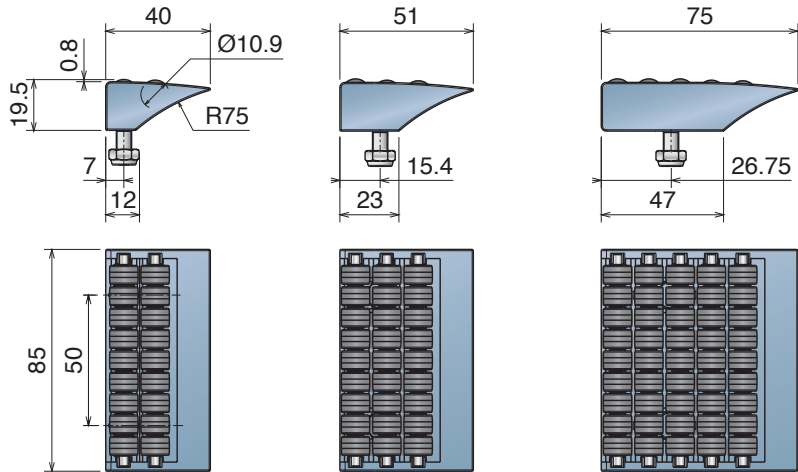


Type C

370 Moduli di trasferimento L=85 mm Transfer modules L=85 mm / Überschubmodul L=85 mm



Part	Article-Nr.	Type
370	37001	A
370	37002	B
370	37003	C

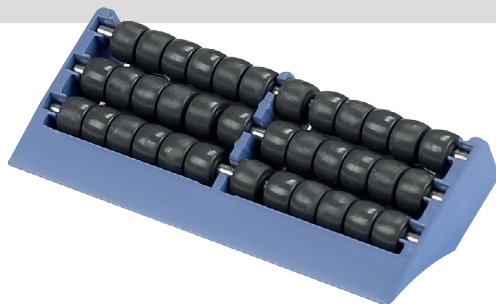


Type A

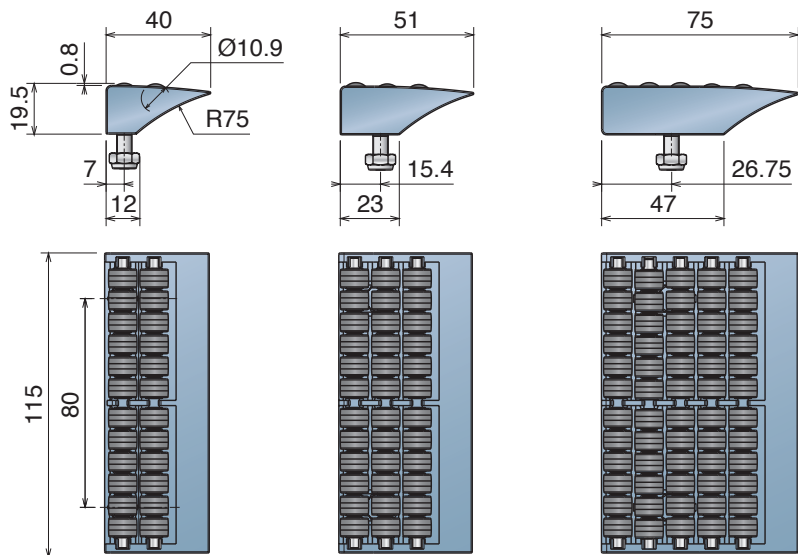
Type B

Type C

371 Moduli di trasferimento L=115 mm Transfer modules L=115 mm / Überschubmodul L=115 mm



Part	Article-Nr.	Type
371	37101	A
371	37102	B
371	37103	C



Type A

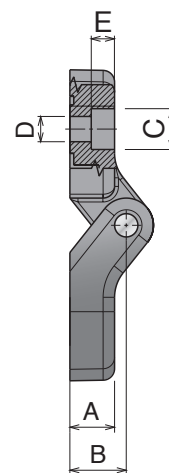
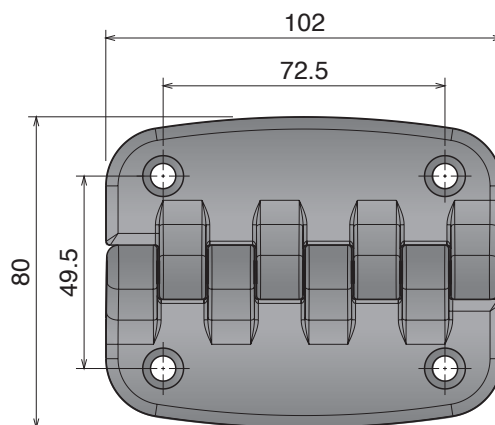
Type B

Type C

372 Cerniera Hinge / Scharnier



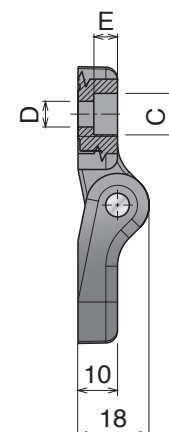
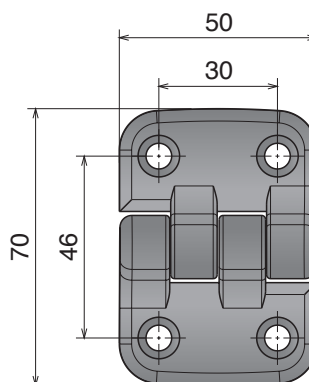
Part	Article-Nr.	A	B	C	D	E
372	37201	11	14	10,5	6,5	6
372	37202	11	14	13,5	8,5	8
372	37203	18	21	13,5	8,5	8



373 Cerniera Hinge / Scharnier



Part	Article-Nr.	C	D	E
373	37301	10,5	6,5	6
373	37302	13,5	8,5	4

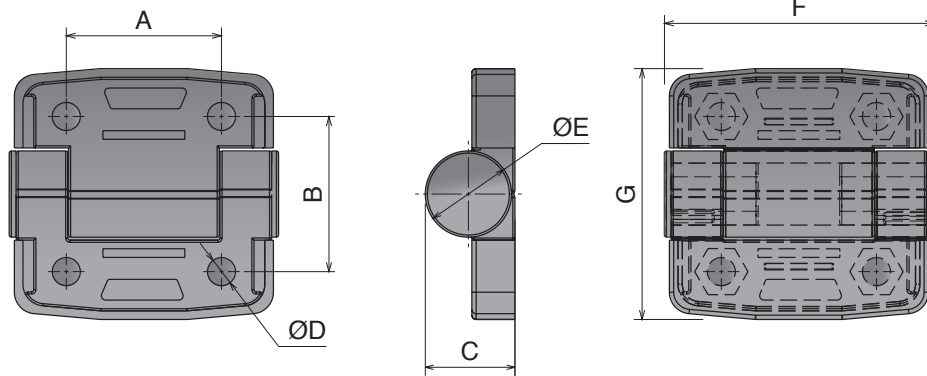


Materiale / Material / Materialien:
 Cerniera: Poliammide o Acciaio inox
 Hinges: Polyamide or Stainless steel
 Scharnier: Polyamid oder Edelstahl

383 Cerniera Hinge / Scharnier



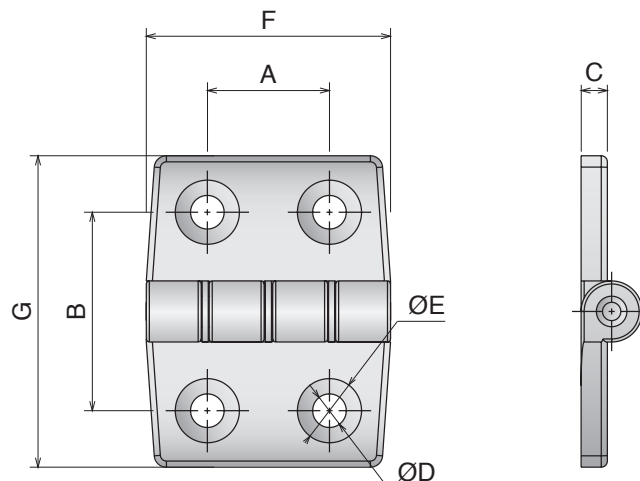
Part	Article-Nr.	A	B	C	ØD	ØE	F	G
383	38301	24	25	14,5	4,5	14	44,6	41
383	38302	36	36	20,8	6,5	20	62,5	58



384 Cerniera Acciaio Inox SS Hinge / Edelstahl Scharnier



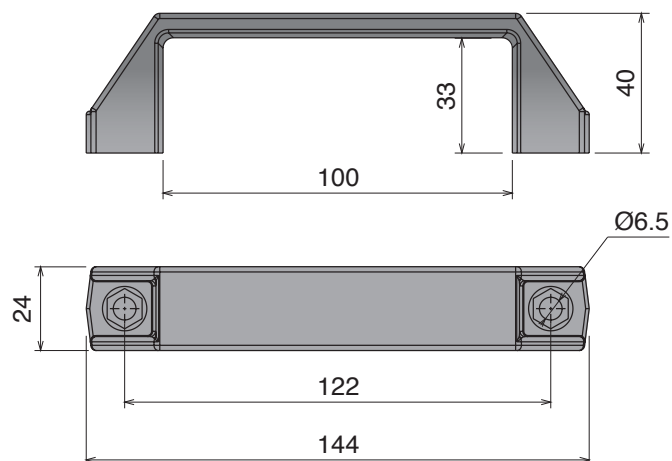
Part	Article-Nr.	A	B	C	ØD	ØE	F	G
384	38401	20	32,5	4,3	5,5	10,5	40	51
384	38402	30	41	5	6,5	12,5	60	71



385 Maniglia ad impugnatura morbida Soft touch handle / Handgriffe "Soft Touch"



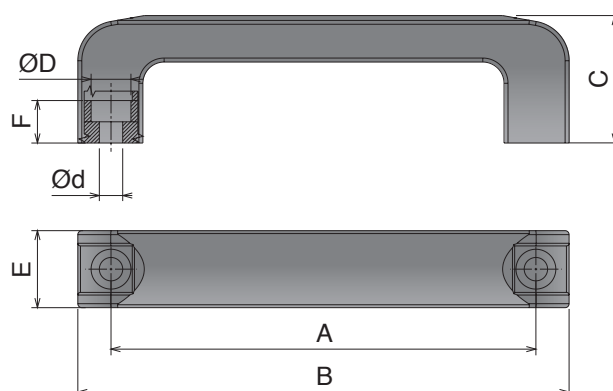
Part	Article-Nr.
385	38501



386 Maniglia Handle / Handgriff



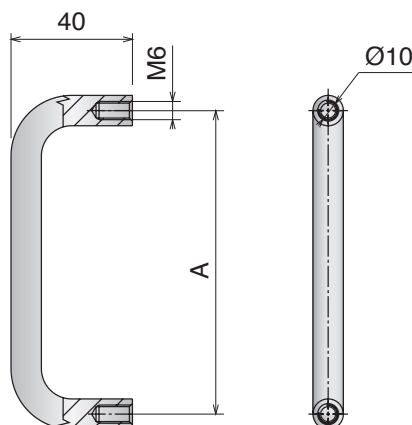
Part	Article-Nr.	A	B	C	Ød	ØD	E	F
386	38601	120	140	40	8,8	13	24,5	16
386	38602	160	185	48	8,8	15	29	16



397 Maniglia acciaio inox Stainless Steel handle / Handgriffe Edelstahl



Part	Article-Nr.	A
397	39701	95
397	39702	100
397	39703	110



Stainless steel
AISI 304

Materiale / Material / Materialien:

Morsetti: Poliammide/Handels: Polyamide/Griff: Polyamid

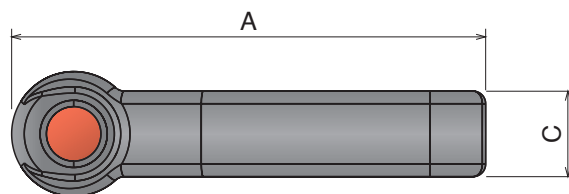
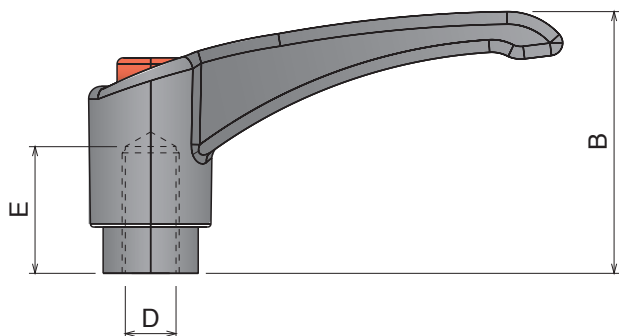
Insero femmina: ottone nichelato/Female insert: Nickel plated brass/Einsatz: Messing vernickelt

Insero maschio: Acciaio inox/Male insert: Stainless steel/Aussengewinde: Edelstahl

374 Maniglia a ripresa Adjustable handle / Ratschenhebel



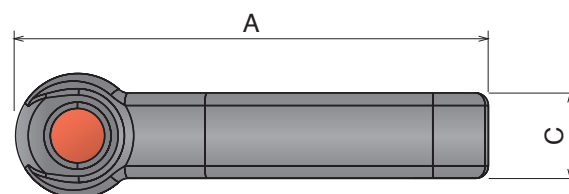
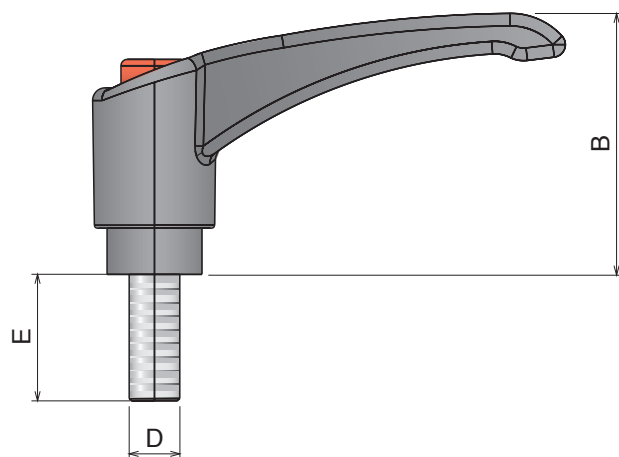
Part	Article-Nr.	A	B	C	D	E
374	37401	75	41	13	M8	11
374	37402	92	53	16	M10	16



375 Maniglia a ripresa Adjustable handle / Ratschenhebel



Part	Article-Nr.	A	B	C	D	E
375	37501	75	41	13	M8	20
375	37502	92	53	16	M10	25



Materiale / Material / Materialien:

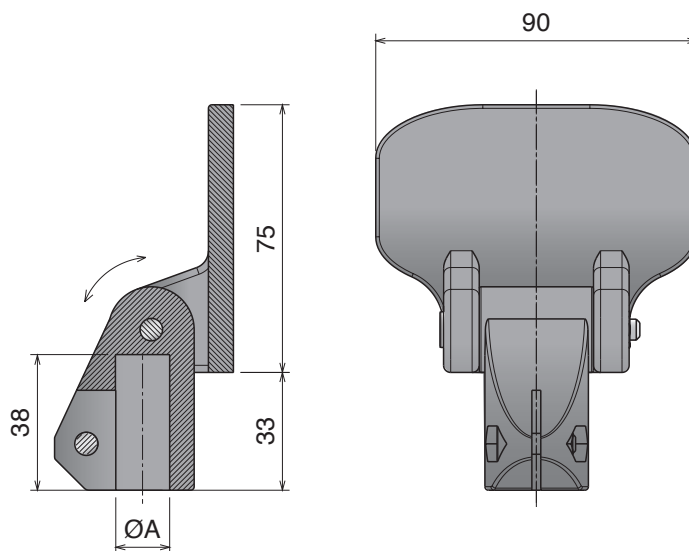
Morsetti: Poliammide/Clamps: Polyamide/Klemme: Polyamid

Viti e dadi: Acciaio inox/Screws and nuts: Stainless steel/Schraube und Mutter: Edelstahl

377 Morsetto standard per fotocellula o riflettore Clamp for photocells or reflector / Klemme für Fotozelle oder Reflektor



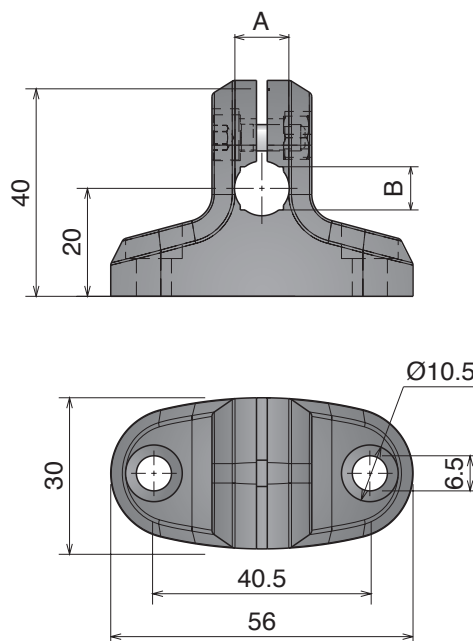
Part	Article-Nr.	ØA
377	37701	14
377	37702	16
377	37703	20



378 Morsetti "T" T-clamp / T-Klemme



Part	Article-Nr.	A	B
378	37801	10	8
378	37802	12	10
378	37803	14	12



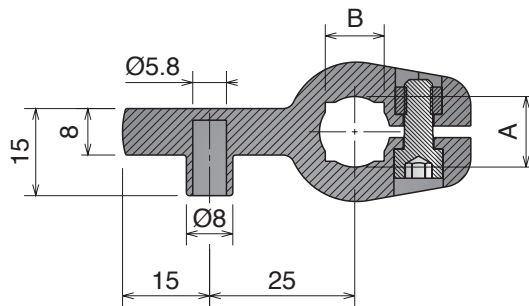
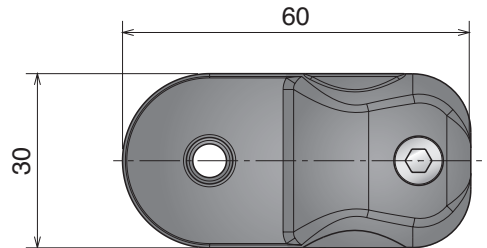
Materiale / Material / Materialien:

Morsetti: Poliammide/Clamps: Polyamide/Klemme: Polyamid

Viti e dadi: Acciaio inox/Screws and nuts: Stainless steel/Schraube und Mutter: Edelstahl

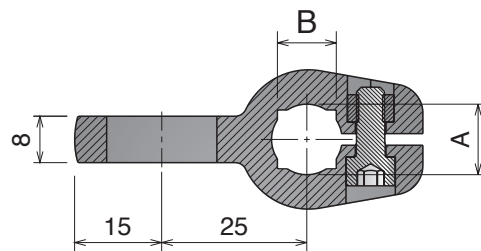
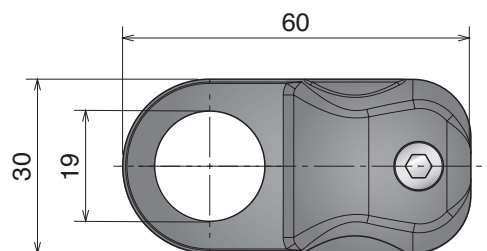
379 Morsetto per riflettore
Clamp for reflector / Reflektorklemme

Part	Article-Nr.	A	B
379	37901	10	8
379	37902	12	10
379	37903	14	12



380 Morsetto per fotocellule o sensori
Clamp for photocells or sensors / Klemme für Lichtschranke oder Sensoren

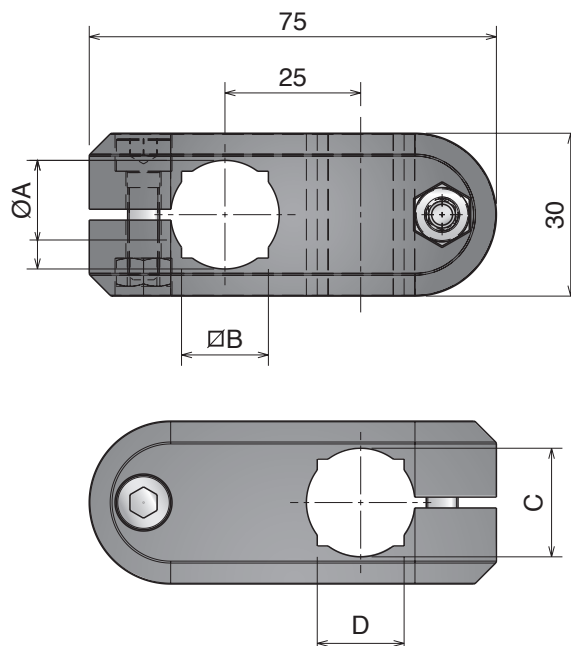
Part	Article-Nr.	A	B
380	38001	10	8
380	38002	12	10
380	38003	14	12



381 Morsetto a croce Cross clamp / Kreuzklemmee



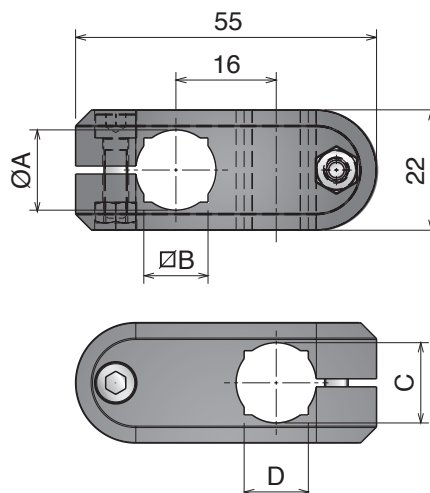
Part	Article-Nr.	ØA	ØB	C	D
381	38101	14	12	14	12
381	38102	16	14	16	14
381	38103	18	-	18	-
381	38104	20	16	20	16



382 Morsetto a croce Cross clamp / Kreuzklemmee



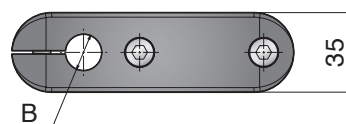
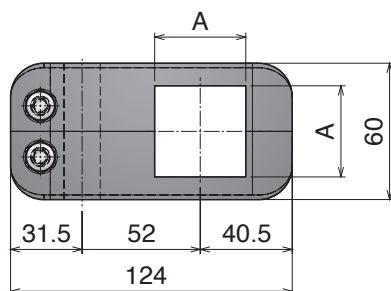
Part	Article-Nr.	ØA	ØB	C	D
382	38201	10	8	10	8
382	38202	12	10	12	10
382	38203	14	12	14	12



Materiale / Material / Materialien: Corpo: PA/Body: PA/Korpus: PA
 Volantino: PA+ ottone nichelato/Knob: PA+ nickel plated brass/Stengriff: PA+ messing vernickelt
 Tirante e rondella: Acciaio inox/Eyebolt and washer: Stainless steel/
 Augenschraube und Unterlegs: Edelstahl

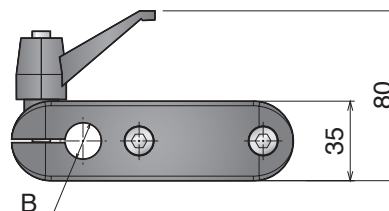
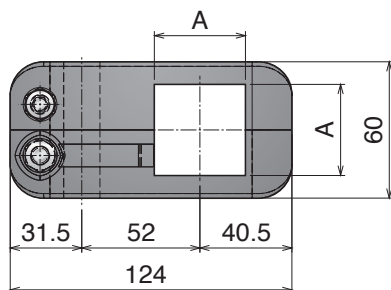
376 Morsetto a croce "extra"
 Extra Cross Block / Kreuzklemme "Extra"

Part	Article-Nr.	A	B
376	37601	30x30	16
376	37602	40x40	16
376	37603	40x40	20



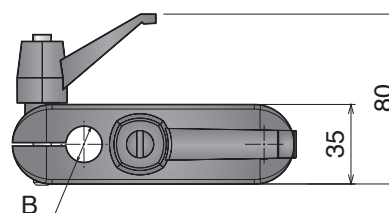
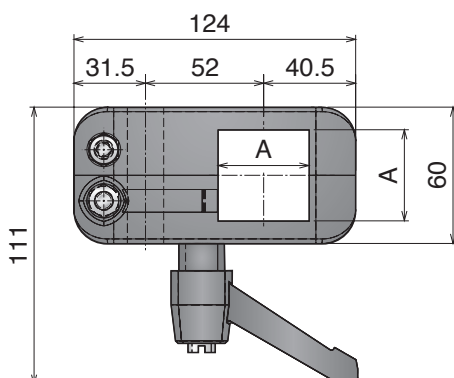
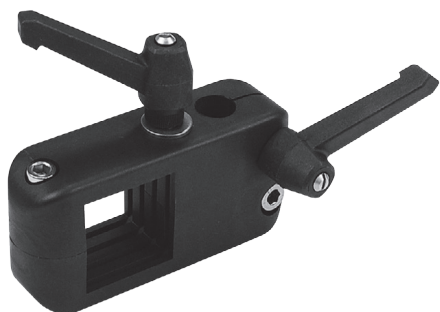
Morsetto a croce "extra" con maniglia
 Extra Cross Block with handle / Kreuzklemme "Extra" m. Ratschenhebel

Part	Article-Nr.	A	B
376	37611	30x30	16
376	37612	40x40	16
376	37613	40x40	20



Morsetto a croce "extra" con maniglie
 Extra Cross Block with handles / Kreuzklemme "Extra" m. Ratschenhebel

Part	Article-Nr.	A	B
376	37621	30x30	16
376	37622	40x40	16
376	37623	40x40	20

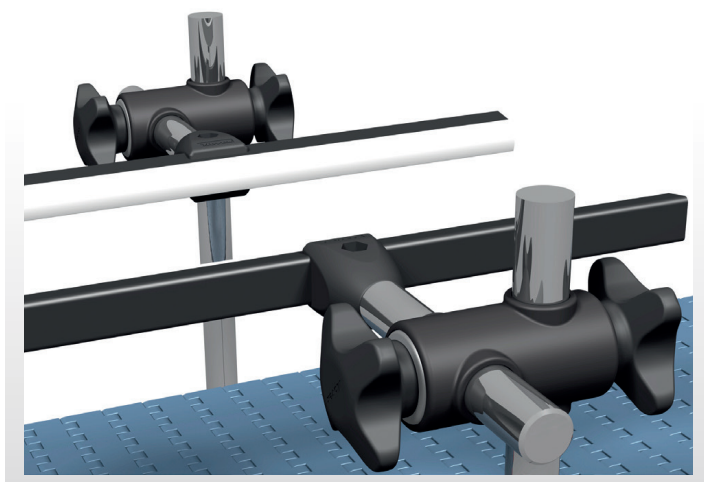
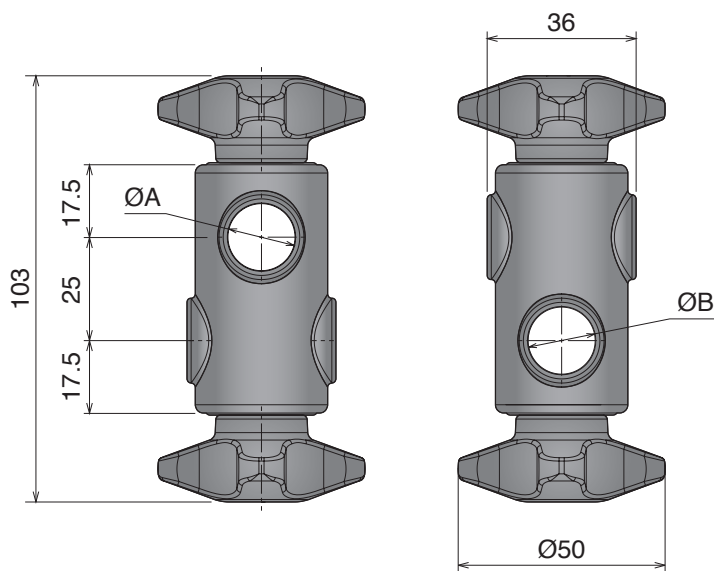


391

Morsetto a croce
Cross clamp / Kreuzklemmee



Part	Article-Nr.	ØA	ØB
391	39101	12	12
391	39103	14	14
391	39102	16	16
391	39104	12	16



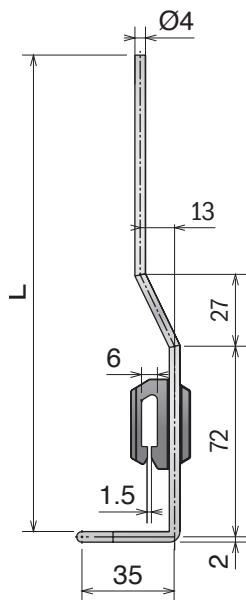
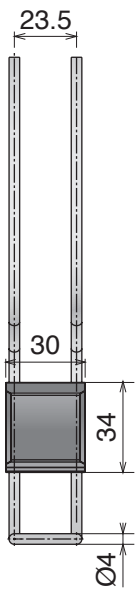
387

Sostegno per Sgocciolatoio
 Drip Tray Supports / Tropfblechhalter

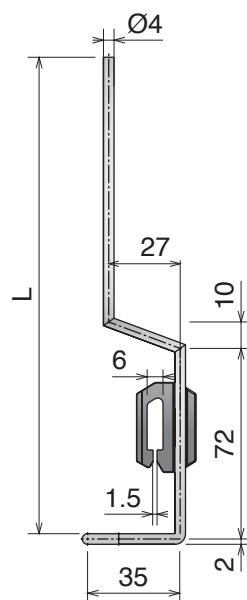
Max load capacity 20 Kg



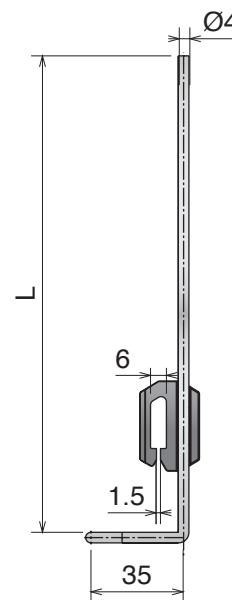
Part	Article-Nr.	L	Type
387	38701	180	A
387	38702	250	A
387	38703	180	B
387	38704	250	B
387	38705	280	B
387	38706	246	C
387	38707	396	C
387	38708	180	D
387	38709	250	D



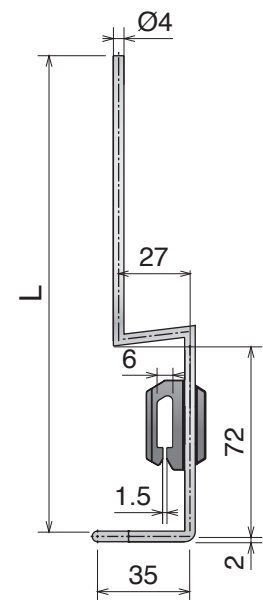
Type A



Type B



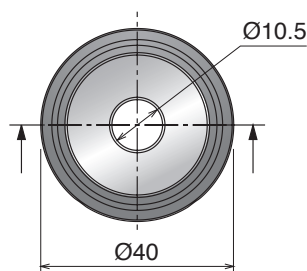
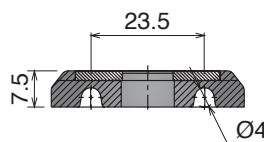
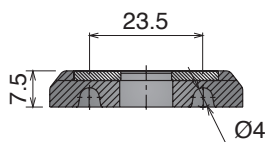
Type C



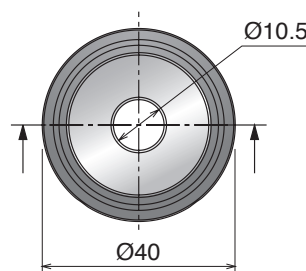
Type D

388

Rondella di fissaggio
 Fixing washer / Fixierscheibe

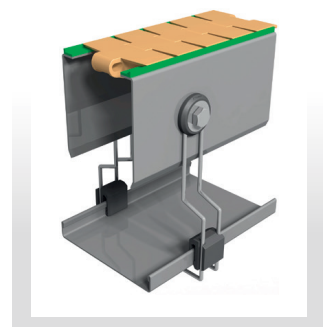


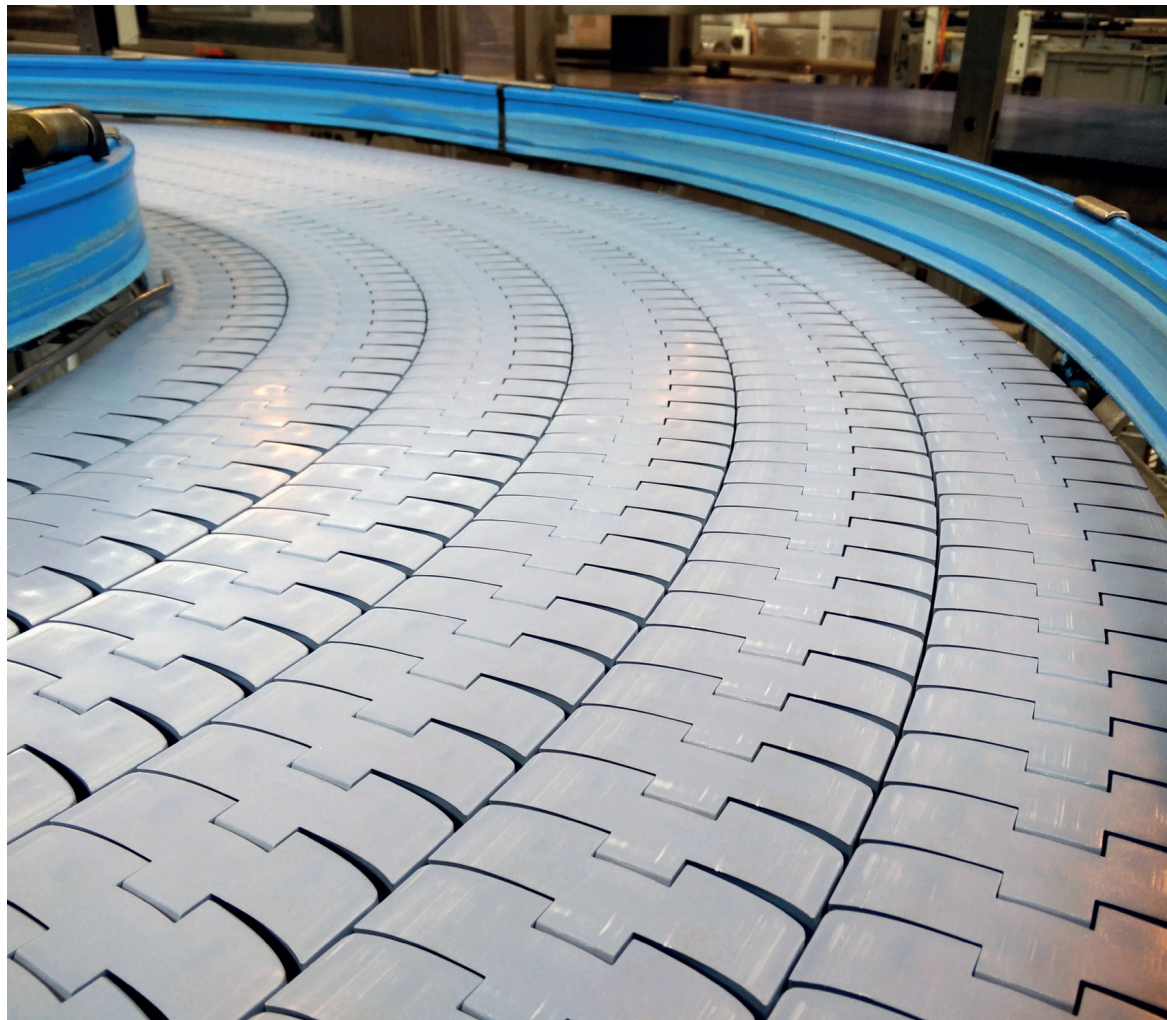
Type A

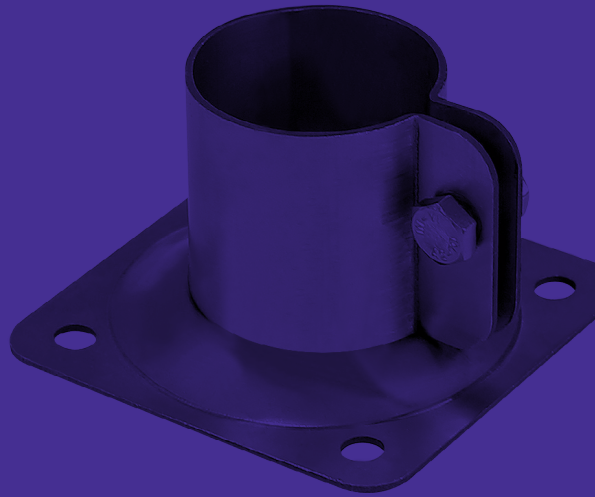


Type B

Part	Article-Nr.	Type
388	38801	A
388	38802	B







- | | | | | | |
|---------------------------|---------------------------|---------------------------|---------------------------|---------------------------|---------------------------|
| 401

Pag 382 | 402

Pag 382 | 403

Pag 383 | 404

Pag 383 | 407

Pag 384 | 408

Pag 384 |
| 409

Pag 385 | 499

Pag 385 | 410

Pag 386 | 411

Pag 386 | 426

Pag 387 | 427

Pag 388 |
| 425

Pag 388 | 413

Pag 389 | 417

Pag 389 | 414

Pag 390 | 419

Pag 391 | 420

Pag 391 |
| 415

Pag 392 | 416

Pag 393 | 428

Pag 394 | 429

Pag 394 | 430

Pag 394 | 418

Pag 395 |
| 421

Pag 396 | 422

Pag 396 | 423

Pag 396 | 424

Pag 396 | | |

401-402

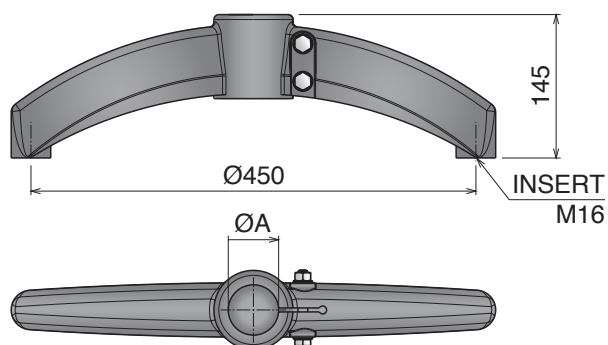
Componenti di supporto / Conveyor support components / Stützelemente

Materiale / Material / Materialien:

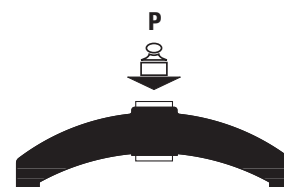
Basi: Poliammide / Base: Polyamide / Halter: Polyamid

Viti e rondelle: Acciaio inox / Screws and washers: Stainless steel / Schrauben und Scheibe: Edelstahl
 Inserti e dadi: ottone nichelato / Inserts nuts: nickel plated brass / Mutter: Messing vernickelt

401 Base a due braccia Bipod / Zweibeinhalter



Part	Article-Nr.	ØA
401	40101	48,3
401	40105	50,9
401	40102	60,3



Tube sliding load resistance

$P=8000N$

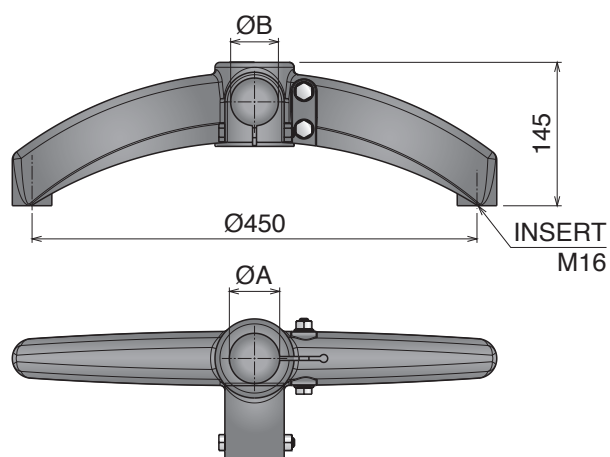
Max applicable load

$P=9600N$

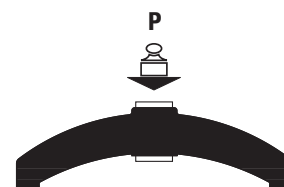
Bolts tightening torque

25 N.m

402 Base a due braccia 180° con giunto Bipod 180° with connector / Zweibeinhalter 180° m. Verbinder



Part	Article-Nr.	ØA	ØB
402	40201	48,3	48,3
402	40205	50,9	48,3
402	40202	60,3	48,3
402	40203	48,3	42,4
402	40206	50,9	42,4
402	40204	60,3	42,4



Tube sliding load resistance

$P=8000N$

Max applicable load

$P=8000N$

Bolts tightening torque

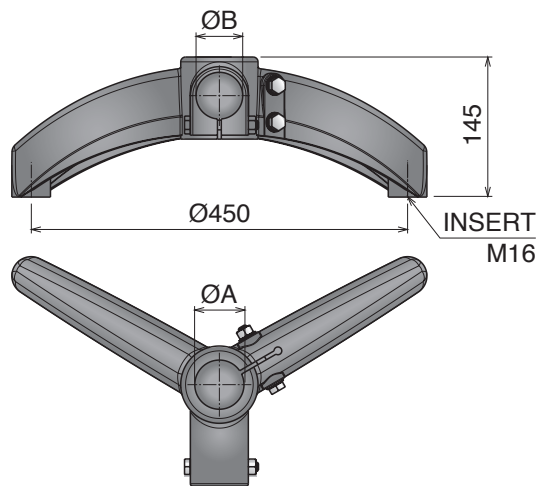
25 N.m

Materiale / Material / Materialien:

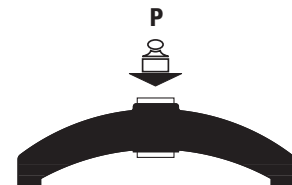
Basi: Poliammide/Base: Polyamide/Halter: Polyamid

Viti e rondelle: Acciaio inox/Screws and washers: Stainless steel/Schrauben und Scheibe: Edelstahl
Inserti e dadi: ottone nichelato/Inserts nuts: nickel plated brass/Mutter: Messing vernickelt**403-404**

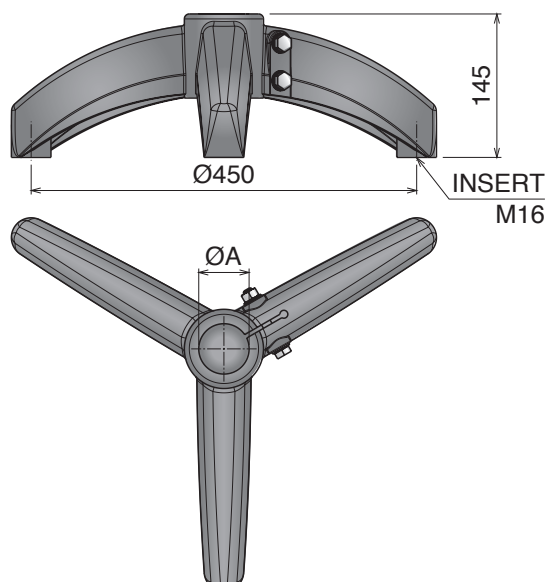
Componenti di supporto / Conveyor support components / Stützelemente

403 Base a due braccia 120° con giunto
Bipod 120° with connector / Zweibeinhalter 120° m. Verbinder

Part	Article-Nr.	ØA	ØB
403	40301	48,3	48,3
403	40305	50,9	48,3
403	40302	60,3	48,3
403	40303	48,3	42,4
403	40306	50,9	42,4
403	40304	60,3	42,4

**Tube sliding load resistance** $P=8000N$ **Max applicable load** $P=8000N$ **Bolts tightening torque**

25 N.m

404 Base a tre braccia
Tripod / Dreibeinhalter

Part	Article-Nr.	ØA
404	40401	48,3
404	40405	50,9
404	40402	60,3

**Tube sliding load resistance** $P=8000N$ **Max applicable load** $P=10000N$ **Bolts tightening torque**

25 N.m

407-408

Componenti di supporto / Conveyor support components / Stützelemente

Materiale / Material / Materialien:

Testata: Poliammide/Side bracket: Polyamide/Halter: Polyamid

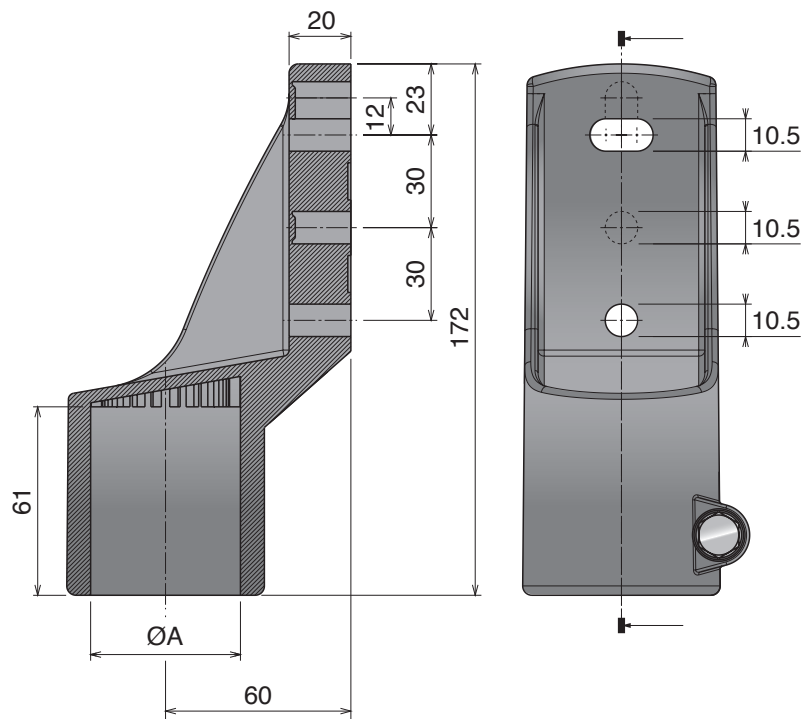
Viti e rondelle: Acciaio inox/Screws and washers: Stainless steel/Schrauben und Scheibe: Edelstahl

Dadi: ottone nichelato/Nuts: nickel plated brass/Mutter: Messing vernickelt

407 Testata laterale Side mounting top bracket / seitlicher Stützkopf

Max recommended tightening torque 2 kg/m

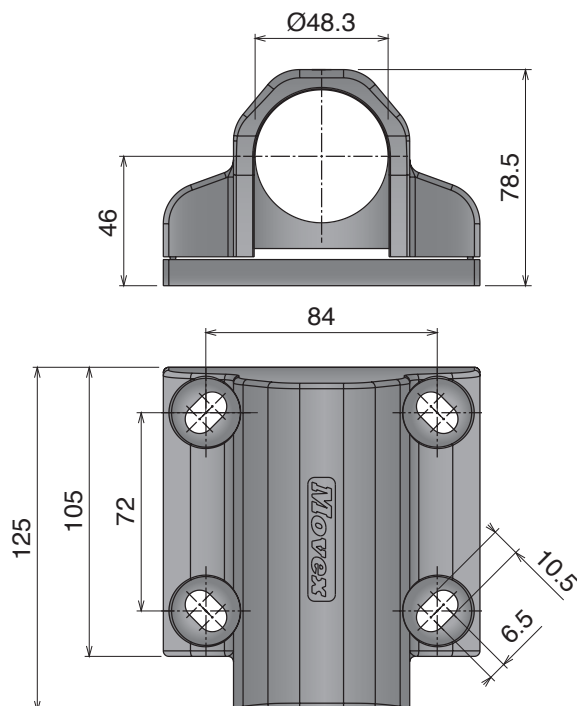
Part	Article-Nr.	ØA
407	40701	48,3
407	40702	50,9



408 Testata laterale Side mounting top bracket / seitlicher Stützkopf

Max recommended tightening torque 2,5 kg/m

Part	Article-Nr.
408	40801



Materiale / Material / Materialien:

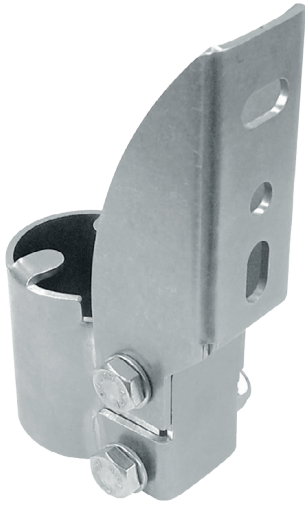
Testata: Acciaio inox / Support head: stainless steel / Halter: Edelstahl
 Viti e rondelle: Acciaio inox / Screws and washers: Stainless steel /
 Mutter: Edelstahl

409-499

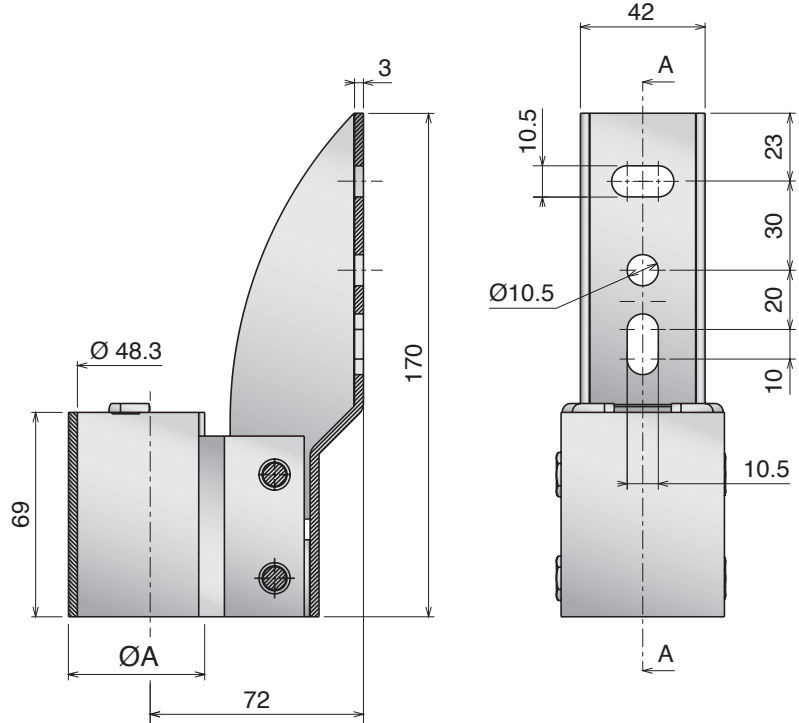
Componenti di supporto / Conveyor support components / Stützelemente

409 Testata laterale
 Side mounting top bracket / seitlicher Stützkopf

Part	Article-Nr.	ØA
409	40901	48,3



Stainless steel
 AISI 304

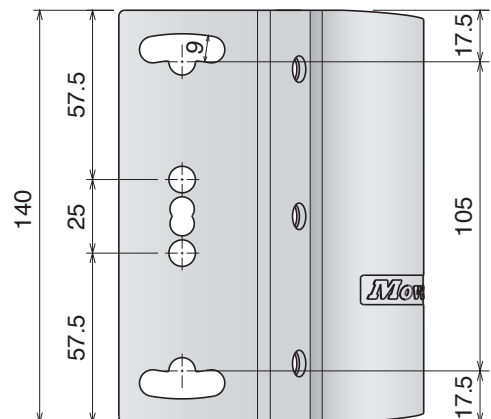
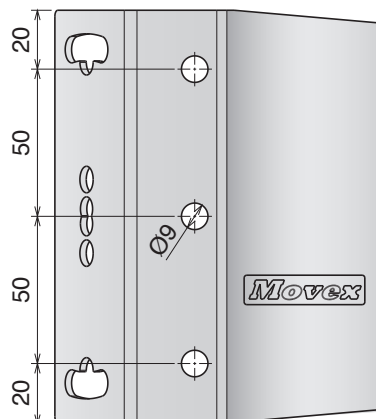
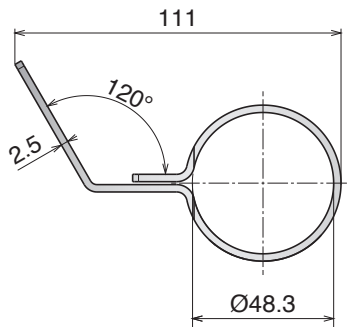


499 Testata laterale
 Side mounting top bracket / seitlicher Stützkopf

Part	Article-Nr.	ØA
499	49995	48,3



Stainless steel
 AISI 304



410-411

Componenti di supporto / Conveyor support components / Stützelemente

Materiale / Material / Materialien:

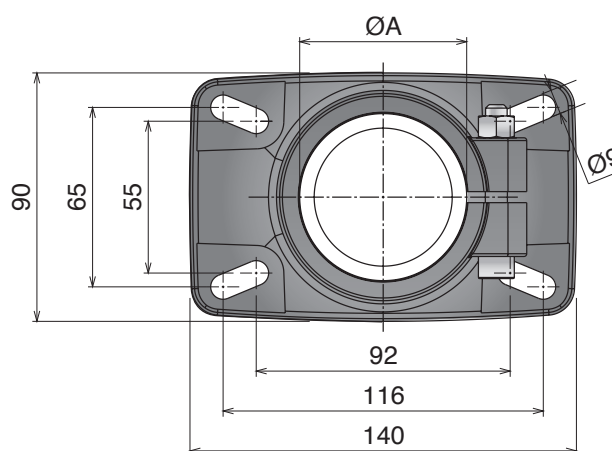
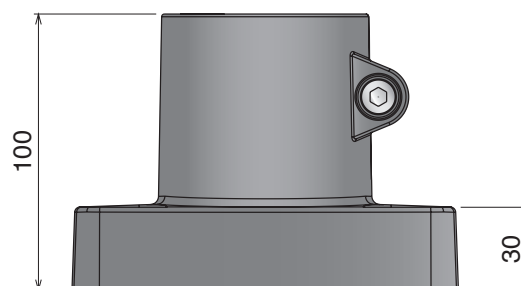
Testata: Poliammide/Support head: Polyamide/Halter: Polyamid
Viti e rondelle e dado: Acciaio inox/Screws, washers and nut:
Stainless steel/Schrauben, Scheibe und Mutter: Edelstahl

410 Testata d'appoggio Support head / Stützkopf

Max recommended tightening torque 3,5 kg/m



Part	Article-Nr.	ØA
410	41001	48,3
410	41002	60,3

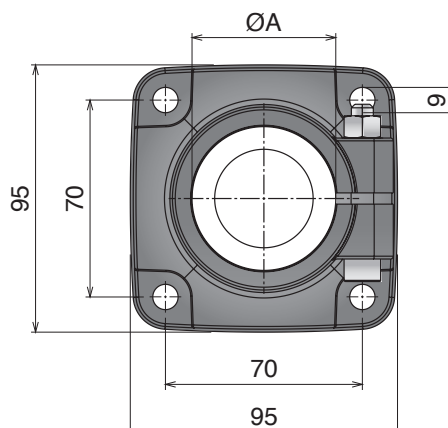
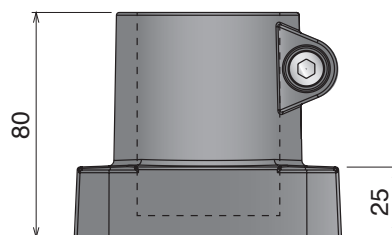


411 Testata d'appoggio Support head / Stützkopf

Max recommended tightening torque 1,5 kg/m



Part	Article-Nr.	ØA
411	41101	48,3
411	41102	50,9

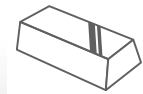


426

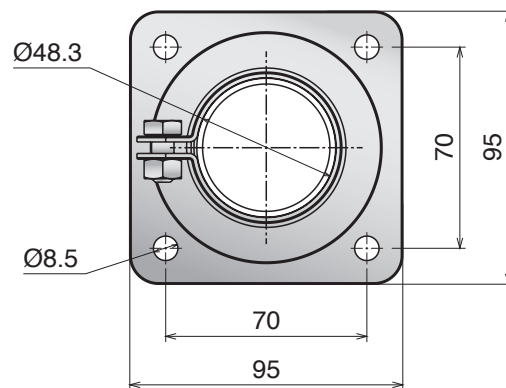
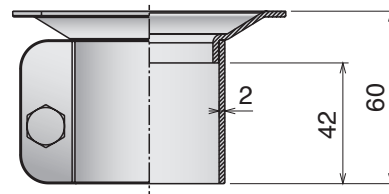
Testata d'appoggio
Support head / Stützkopf

Part	Article-Nr.
------	-------------

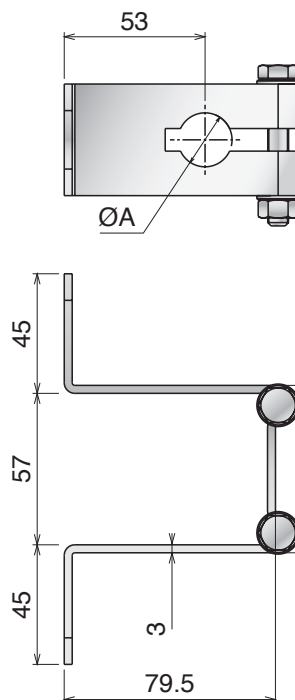
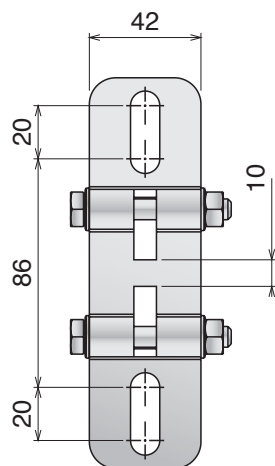
426	42601
-----	-------



Stainless
steel
AISI 304

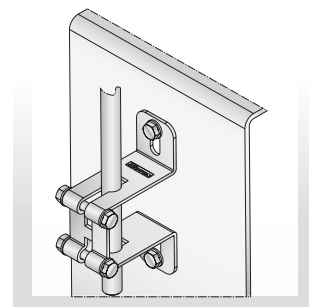


427 Supporto laterale Side bracket / Seitenhalter

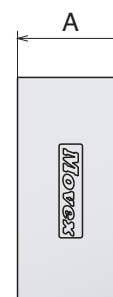
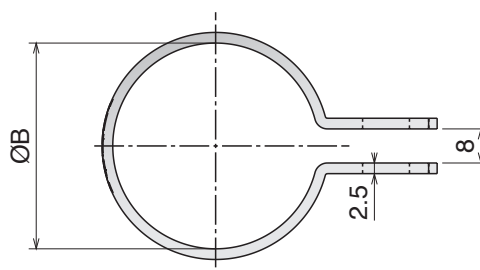


Part	Article-Nr.	ØA
427	42701	16
427	42702	20

Stainless steel
AISI 304



425 Morsetto a collare Clamp collar / Klemmschelle



Part	Article-Nr.	A	ØB
425	42501	25	48,3
425	42511	25	50,8
425	42521	76,2	50,8

Stainless steel
AISI 304

Materiale / Material / Materialien:

Giunto: Poliammide / Joint: Polyamide / Verbinder: Polyamid

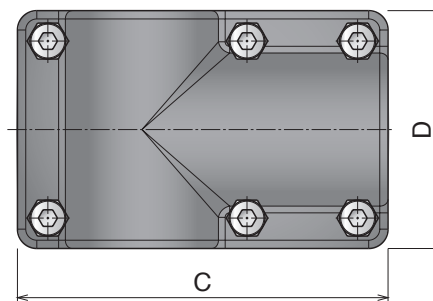
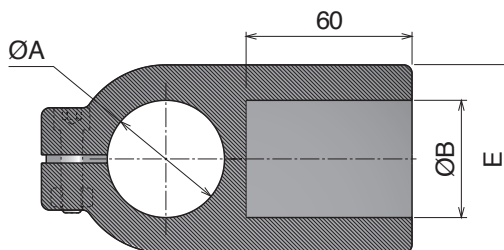
Viti e rondelle: Acciaio inox / Screws and washers: Stainless steel / Schrauben und Scheibe: Edelstahl
Inserti e dadi: ottone nichelato / Inserts nuts: nickel plated brass / Mutter: Messing vernickelt**413-417**

Componenti di supporto / Conveyor support components / Stützelemente

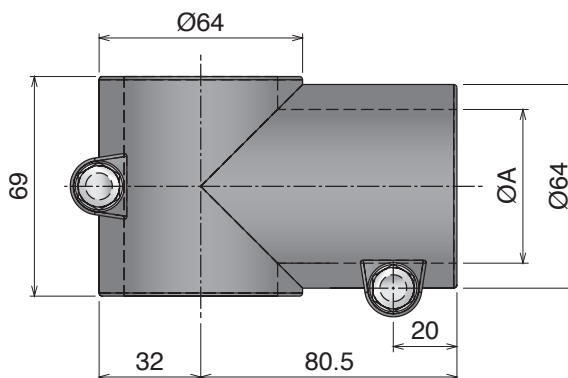
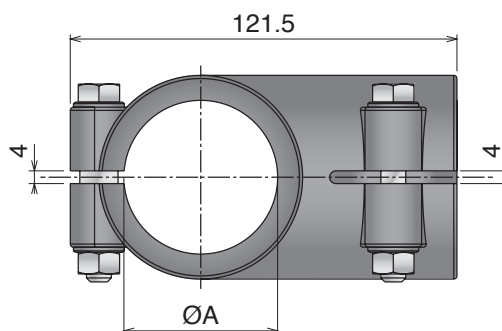
413 Giunto di collegamento
Connecting joint / Verbindungselement

Max recommended tightening torque 1,5 kg/m

Part	Article-Nr.	ØA	ØB	C	D	E
413	41301	48,3	48,3	134	86	68
413	41302	60,3	48,3	146	98	80
413	41303	60,3	60,3	146	98	80

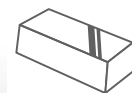
**417** Giunto di collegamento
Connecting joint / Verbindungselement

Part	Article-Nr.	ØA
417	41701	48,3
417	41702	50,9

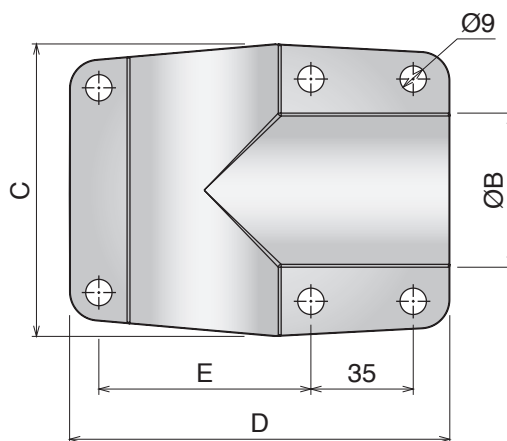
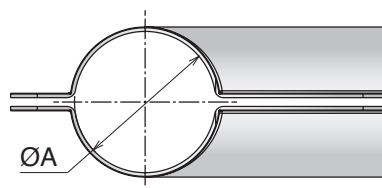


414 Giunto di collegamento (acciaio inox) Connecting joint (SS) / Verbindungselement (Edelstahl)

Part	Article-Nr.	ØA	ØB	C	D	E
414	41401	48,3	48,3	100	130	72,5
414	41402	60,3	60,3	110	150	92,5



Stainless steel
AISI 304



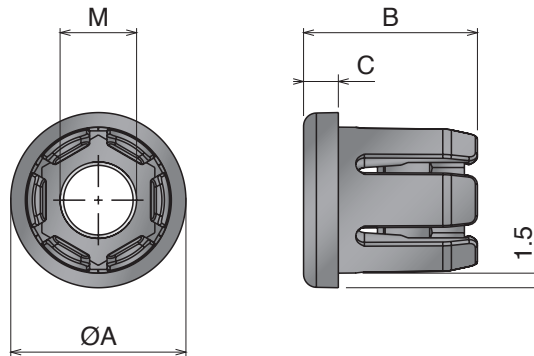
Materiale / Material / Materialien:

Tappo: Poliammide / Plug: Polyamide / Stopfen: Polyamid
 Insetti: PA o ottone nichelato / Inserts: PA or nickel plated brass
 Einsatz: PA oder Messing vernickelt

419 Tappi ad espansione Expansions plugs / Gewindezapfen, Spreizbar



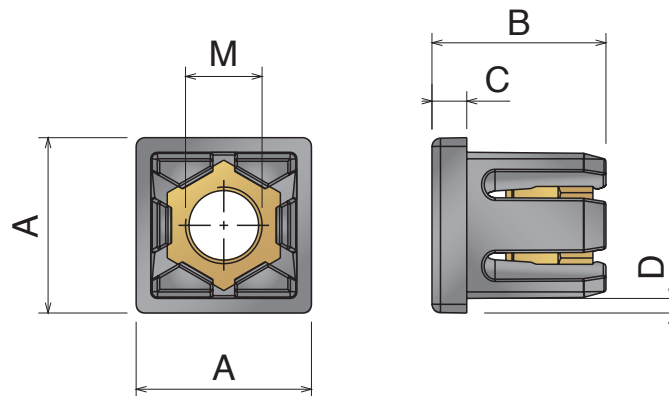
	Part	Article-Nr.		ØA	B	C	M
		Brass Bush	PA Bush				
New	419	41907	-	20	19	3	M8
	419	41908	-	20	19	3	M10
	419	41901	-	20	20	4	M8
	419	41902	-	20	20	4	M10
	419	41903	41913	38	40	5	M8
	419	41904	41914	38	40	5	M10
	419	41905	41915	42,4	40	5	M8
	419	41906	41916	42,4	40	5	M10



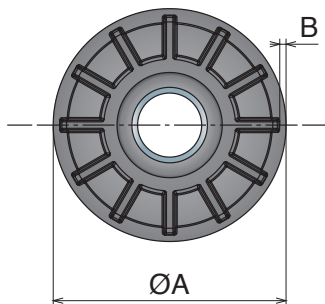
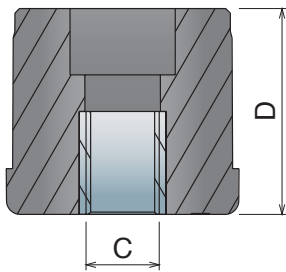
420 Tappi ad espansione Expansions plugs / Gewindezapfen, Spreizbar



	Part	Article-Nr.		A	B	C	D	M
		Brass Bush	PA Bush					
	420	42001	-	20	20	4	1,5	M8
	420	42002	-	20	20	4	1,5	M10
	420	42003	-	20	20	4	2	M8
	420	42004	-	20	20	4	2	M10
	420	42005	42015	40	40	5	2	M8
	420	42006	42016	40	40	5	2	M10



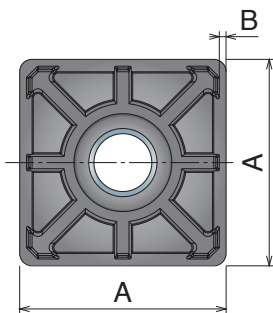
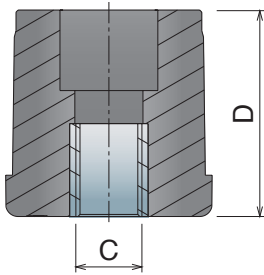
415 Tappi tondi filettati Threaded bushings for round tubes / Gewindezapfen f. Rund-Rohr



Part	Article-Nr.	ØA	B	C	D	Part	Article-Nr.	ØA	B	C	D
415	41507	30	1	M10	33	415	41553	48,3	2	M10	48
415	41508			M12	33	415	41554			M12	48
415	41509			M14	33	415	41555			M14	48
415	41510			M16	33	415	41556			M16	48
415	41511	30	1,5	M10	33	415	41557	48,3	2,5	M20	48
415	41512			M12	33	415	41558			M10	48
415	41513			M14	33	415	41559			M12	48
415	41514			M16	33	415	41560			M14	48
415	41515	30	2	M10	33	415	41561	48,3	2,5	M16	48
415	41516			M12	33	415	41562			M20	48
415	41517			M14	33	415	41563			M10	50
415	41518			M16	33	415	41564			M12	50
415	41519	30	2,5	M10	33	415	41565	50	1,5	M14	50
415	41520			M12	33	415	41503			M16	50
415	41521			M14	33	415	41504			M20	50
415	41522			M16	33	415	41566			M10	50
415	41523	38	1,5	M10	40	415	41567	50,9	1,5	M12	50
415	41524			M12	40	415	41568			M14	50
415	41525			M14	40	415	41569			M16	50
415	41526			M16	40	415	41570			M20	50
415	41527	38	2	M10	40	415	41571	50,9	2	M10	50
415	41528			M12	40	415	41572			M12	50
415	41529			M14	40	415	41573			M14	50
415	41530			M16	40	415	41574			M16	50
415	41531	38	2,5	M10	40	415	41575	50,9	2,5	M20	50
415	41532			M12	40	415	41576			M10	50
415	41533			M14	40	415	41577			M12	50
415	41534			M16	40	415	41578			M14	50
415	41535	42,4	1,5	M10	43	415	41579	60,3	1,5	M16	50
415	41536			M12	43	415	41580			M20	50
415	41537			M14	43	415	41581			M10	55
415	41538			M16	43	415	41582			M12	55
415	41539	42,4	2	M14	43	415	41583	60,3	1,5	M14	55
415	41540			M10	43	415	41584			M16	55
415	41541			M12	43	415	41585			M20	55
415	41542			M14	43	415	41586			M10	55
415	41543	42,4	2,5	M16	43	415	41587	60,3	2	M12	55
415	41544			M20	43	415	41588			M14	55
415	41545			M10	43	415	41505			M16	55
415	41546			M12	43	415	41506			M20	55
415	41547	48,3	1,5	M14	43	415	41589	60,3	2,5	M10	55
415	41548			M16	43	415	41590			M12	55
415	41549			M20	43	415	41591			M14	55
415	41550			M10	48	415	41592			M16	55
415	41551	48,3	1,5	M12	48	415	41593	60,3	2,5	M20	55
415	41552			M14	48	415	41593			M20	55
415	41501			M16	48						
415	41502			M20	48						

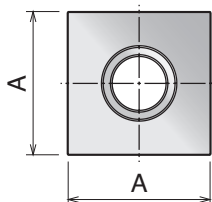
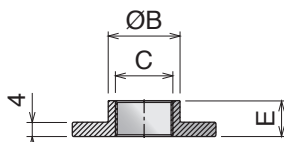
416 Tappi quadrati filettati

Threaded bushings for square tubes / Gewindezapfen f. Vierkant-Rohr

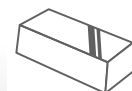


Part	Article-Nr.	ØA	B	C	D	Part	Article-Nr.	ØA	B	C	D	
416	41601	25	1,5	M10	30	416	41643	45	2	M10	50	
416	41602			M12	30	416	41644			M12	50	
416	41611	30	1,5	M10	33	416	41645	50	1,2	M14	50	
416	41603			M12	33	416	41646			M16	50	
416	41612			M14	33	416	41647			M20	50	
416	41604			M16	33	416	41648			M10	50	
416	41613	30	2	M10	33	416	41649	50	1,5	M12	50	
416	41614			M12	33	416	41650			M14	50	
416	41615			M14	33	416	41651			M16	50	
416	41616			M16	33	416	41652			M20	50	
416	41617	35	1,5	M10	43	416	41653	50	2	M10	50	
416	41618			M12	43	416	41654			M12	50	
416	41619			M14	43	416	41655			M14	50	
416	41620			M16	43	416	41656			M16	50	
416	41621			M20	43	416	41657			M20	50	
416	41622	35	2	M10	43	416	41658	50	2,5	M10	50	
416	41623			M12	43	416	41659			M12	50	
416	41624			M14	43	416	41660			M14	50	
416	41625			M16	43	416	41609			M16	50	
416	41626			M20	43	416	41610			M20	50	
416	41681	38,1	1,6	M10	43	416	41661	50	3	M10	50	
416	41682			M12	43	416	41662			M12	50	
416	41683			M14	43	416	41663			M14	50	
416	41684			M16	43	416	41664			M16	50	
416	41685			M20	43	416	41665			M20	50	
416	41686	38,1	3	M10	43	416	41666	60	2	M10	55	
416	41687			M12	43	416	41667			M12	55	
416	41688			M14	43	416	41668			M14	55	
416	41689			M16	43	416	41669			M16	55	
416	41690			M20	43	416	41670			M20	55	
416	41627	40	1,2	M10	43	416	41671	60	3	M10	55	
416	41628			M12	43	416	41672			M12	55	
416	41629			M14	43	416	41673			M14	55	
416	41630			M16	43	416	41674			M16	55	
416	41631			M20	43	416	41675			M20	55	
416	41632	40	1,5	M10	43	416	41676	60	3	M10	55	
416	41605			M12	43	416	41677			M12	55	
416	41633			M14	43	416	41678			M14	55	
416	41606			M16	43	416	41679			M16	55	
416	41634			M20	43	416	41680			M20	55	
416	41635	40	2	M10	43							
416	41636			M12	43							
416	41637			M14	45							
416	41607			M16	45							
416	41608			M20	45							
416	41638	40	2,5	M10	45							
416	41639			M12	45							
416	41640			M14	45							
416	41641			M16	45							
416	41642			M20	45							

428 Tappi quadri filettati Threaded bushings for square tube / Gewindezapfen f. Vierkant-Rohr

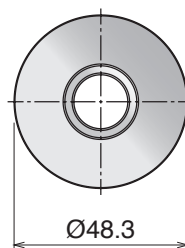
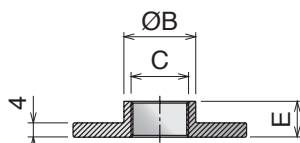


Part	Article-Nr.	A	C	ØB	E
428	42801	40	M16	20	10
428	42802	40	M20	23	11,5
428	42803	45	M16	20	10
428	42804	45	M20	23	11,5
428	42805	50	M16	20	10
428	42806	50	M20	23	11,5
428	42807	60	M16	20	10
428	42808	60	M20	23	11,5



Stainless steel
AISI 304

429 Tappi tondi filettati Threaded bushings for round tube / Gewindezapfen f. Rund-Rohr

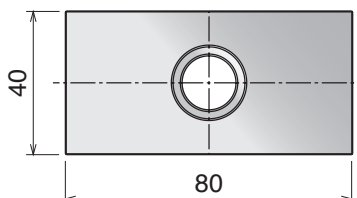
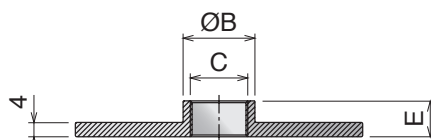


Part	Article-Nr.	C	ØB	E
429	42901	M16	20	10
429	42902	M20	23	11,5



Stainless steel
AISI 304

430 Tappi rettangolari filettati Threaded bushings for rectangular tube / Gewindezapfen f. Rechteck



Part	Article-Nr.	C	ØB	E
430	43001	M16	20	10
430	43002	M20	23	11,5

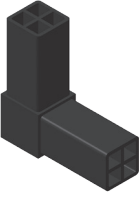


Stainless steel
AISI 304

418

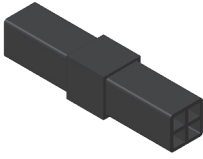
Giunto di collegamento
 Connecting joint / Verbindungselement

Type A



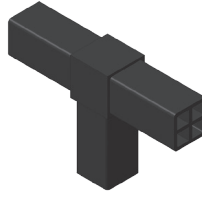
Part	Article-Nr.	Type
418	41801	A

Type B



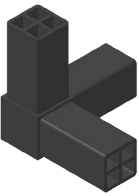
Part	Article-Nr.	Type
418	41802	B

Type C



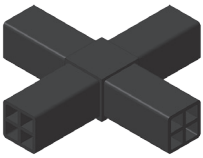
Part	Article-Nr.	Type
418	41803	C

Type D



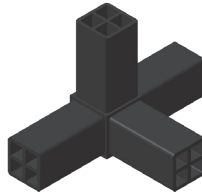
Part	Article-Nr.	Type
418	41804	D

Type E



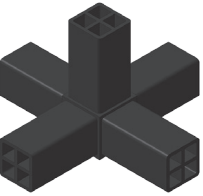
Part	Article-Nr.	Type
418	41805	E

Type F



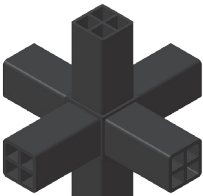
Part	Article-Nr.	Type
418	41806	F

Type G

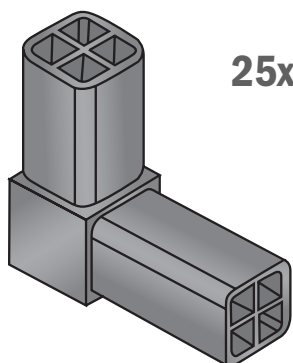


Part	Article-Nr.	Type
418	41807	G

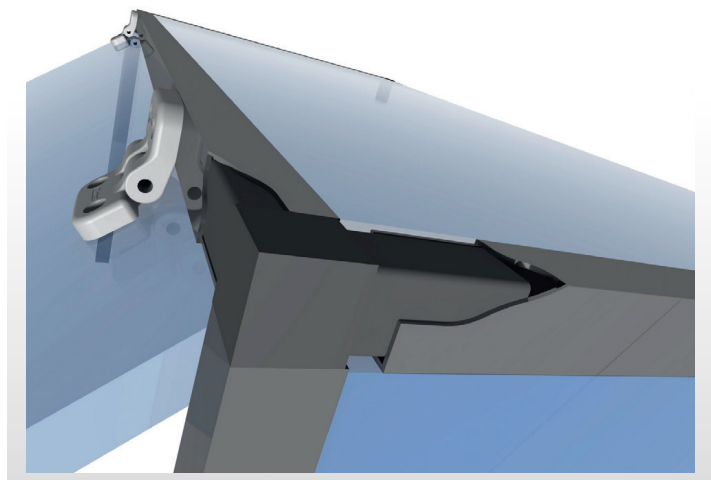
Type H



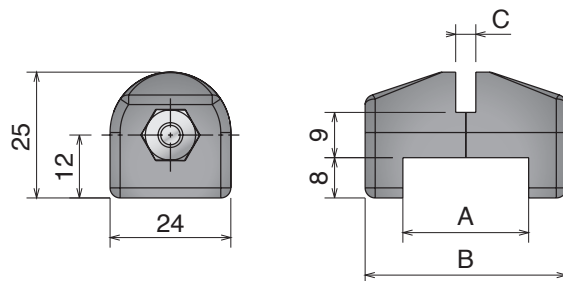
Part	Article-Nr.	Type
418	41808	H



For Tubes
 25x25x1.5 mm

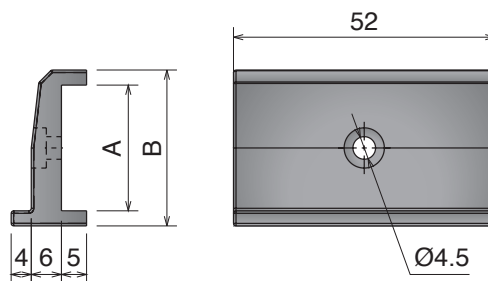
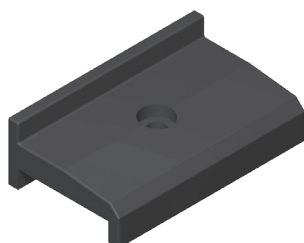


421 Blocco per pannelli Panel clamp / Panelklemme



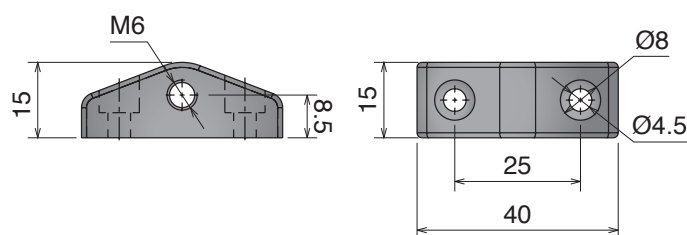
Part	Article-Nr.	A	B	C
421	42101	25	40	4
421	42102	25	40	5
421	42103	25	40	6
421	42104	30	45	4
421	42105	30	45	5
421	42106	30	45	6

422 Fermaporta Door stop / Türstopper



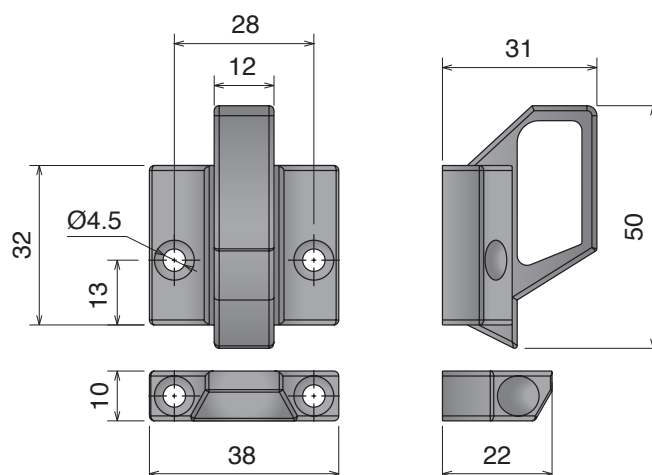
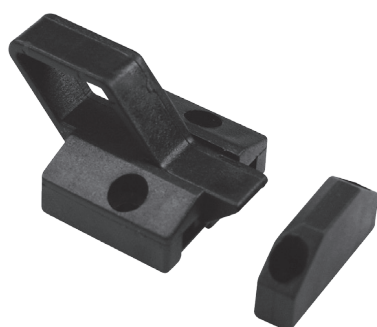
Part	Article-Nr.	A	B
422	42201	25	31

423 Blocchetto di fissaggio Fixing lock / Anschlag



Part	Article-Nr.
423	42301

424 Fermaporta a molla Spring loaded latch / Türverschluss



Part	Article-Nr.
424	42401