

**901-909 Basic**  
Ø40-Ø50-Ø60



Pag 424

**953-957 Basic**  
Ø80-Ø100



Pag 426

**910-918 Standard**  
Ø80-Ø100-Ø123



Pag 428

**943-947**  
Ø110



Pag 430

**948-952**  
Ø123



Pag 432

**958-959/931-932/981-983**  
Ø123



Pag 434

**919-980 Easy Clean**  
Ø50-Ø65-Ø75-Ø100-Ø125-Ø150-Ø180



Pag 436

**985-991 Easy Clean**  
Ø50-Ø65-Ø75-Ø100-Ø125-Ø150-Ø180



Pag 439

**934-939 Easy Clean**  
Ø75-Ø100



Pag 442

**992-993 Easy Clean**  
Ø75-Ø100



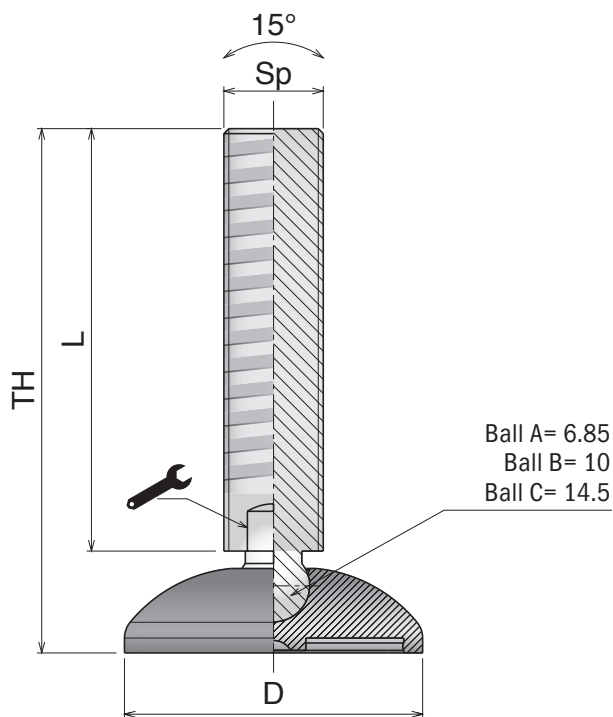
Pag 444

**960-971**  
Ø123.5



Pag 446

## 901-909 Basic



### Accessori / Accessories / Zubehör



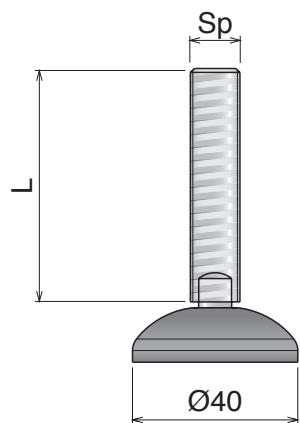
**Gomma anti-scivolo**  
**Anti-slip pad / Gummiplatte**

Part	Article-Nr.	For base
996	99601	Ø40
996	99602	Ø50
996	99603	Ø60



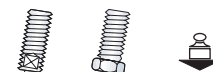
**Dadi acciaio inox**  
**Stainless steel nuts / Mutter Edelstahl**

Part	Article-Nr.	Spindle
998	99801	M10
998	99802	M12
998	99804	M16
998	99805	M20

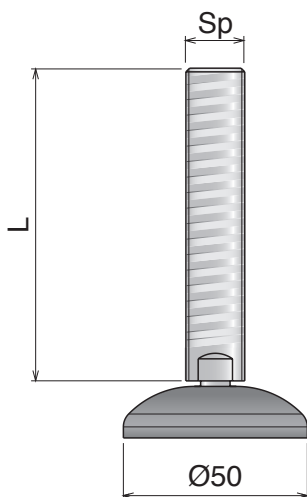


**Piede diam. 40 mm**

**Leveller diam. 40 mm / Gelenkfuss Diam. 40 mm**

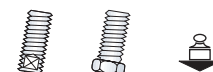


Part	SS	FeZn	Sp	TH	L	Ball	N	
901	90101	90101Z	M10	50	35	A	7	-
901	90102	90102Z		100	85	A	7	-
901	90103	90103Z		150	135	A	7	-
902	90201	90201Z	M12	75	60	B	9	-
902	90202	90202Z		100	85	B	9	-
902	90203	90203Z		150	135	B	9	-
903	90301	90301Z	M16	75	60	B	13	-
903	90302	90302Z		100	85	B	13	-
903	90303	90303Z		150	135	B	13	-
903	90301H	90301ZH		75	60	B	-	16
903	90302H	90302ZH		100	85	B	-	16
903	90303H	90303ZH		150	135	B	-	16

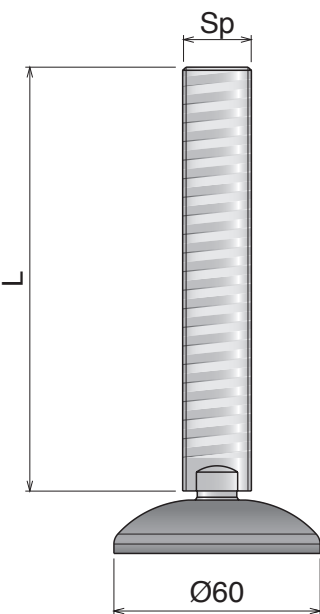


**Piede diam. 50 mm**

**Leveller diam. 50 mm / Gelenkfuss Diam. 50 mm**

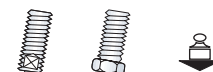


Part	SS	FeZn	Sp	TH	L	Ball	N	
904	90401	90401Z	M10	50	35	A	7	-
904	90402	90402Z		100	85	A	7	-
904	90403	90403Z		150	135	A	7	-
905	90501	90501Z	M12	75	60	B	9	-
905	90502	90502Z		100	85	B	9	-
905	90503	90503Z		150	135	B	9	-
906	90601	90601Z	M16	75	60	B	13	-
906	90602	90602Z		100	85	B	13	-
906	90603	90603Z		150	135	B	13	-
906	90601H	90601ZH		75	60	B	-	16
906	90602H	90602ZH		100	85	B	-	16
906	90603H	90603ZH		150	135	B	-	16



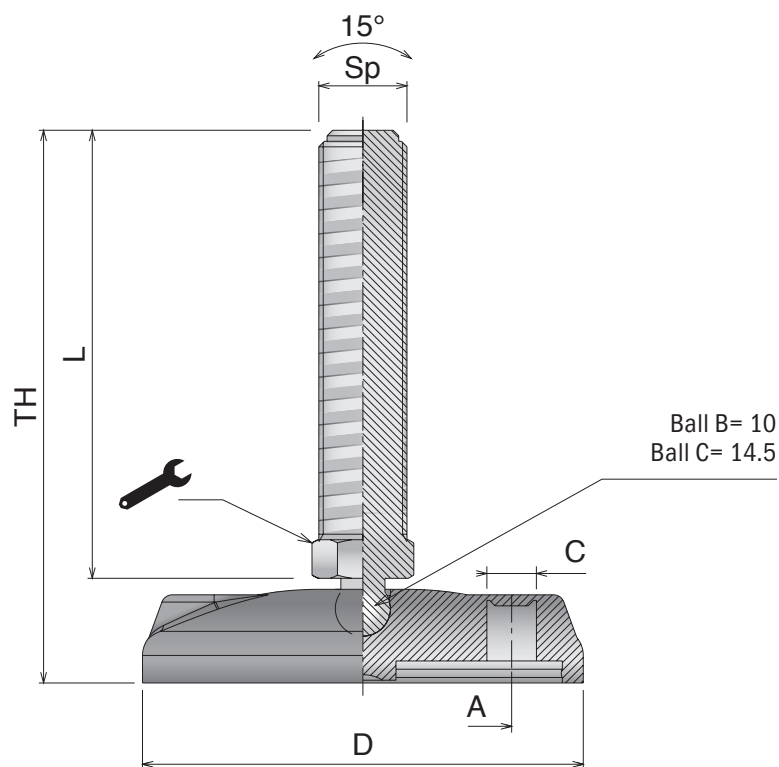
**Piede diam. 60 mm**

**Leveller diam. 60 mm / Gelenkfuss Diam. 60 mm**



Part	SS	FeZn	Sp	TH	L	Ball	N	
907	90701	90701Z	M12	80	60	B	9	-
907	90702	90702Z		105	85	B	9	-
907	90703	90703Z		155	135	B	9	-
908	90801	90801Z	M16	105	85	B	13	-
908	90802	90802Z		155	135	B	13	-
908	90803	90803Z		205	185	B	13	-
908	90801H	90801ZH		105	85	B	-	16
908	90802H	90802ZH		155	135	B	-	16
908	90803H	90803ZH		205	185	B	-	16
909	90901	90901Z	M20	105	85	C	16	-
909	90902	90902Z		155	135	C	16	-
909	90903	90903Z		205	185	C	16	-
909	90901H	90901ZH		105	85	C	-	20
909	90902H	90902ZH		155	135	C	-	20
909	90903H	90903ZH		205	185	C	-	20

## 953-957 Basic



### Accessori / Accessories / Zubehör



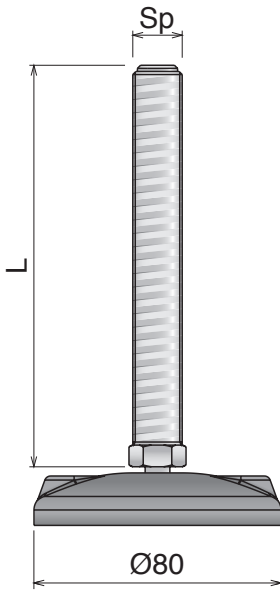
**Gomma anti-scivolo**  
**Anti-slip pad / Gummiplatte**

Part	Article-Nr.	For base
996	99604	Ø80
996	99605	Ø100





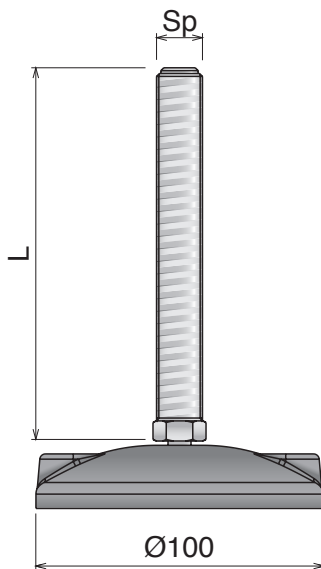
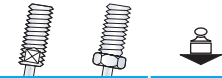
**Dadi acciaio inox**  
**Stainless steel nuts / Mutter Edelstahl**

Part	Article-Nr.	Spindle
998	99802	M12
998	99804	M16
998	99805	M20





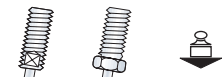
Piede diam. 80 mm  
Leveler diam. 80 mm / Gelenkfuss Diam. 80 mm

Part	SS	FeZn	Sp	TH	L	Ball	 		N
953	95301	95301Z	M12	80	60	B	9	-	12.000
953	95302	95302Z		105	85	B	9	-	
953	95303	95303Z		155	135	B	9	-	
954	95401	95401Z	M16	105	85	B	13	-	15.000
954	95402	95402Z		155	135	B	13	-	
954	95403	95403Z		205	185	B	13	-	
954	95401H	95401ZH		105	85	B	-	16	
954	95402H	95402ZH		155	135	B	-	16	
954	95403H	95403ZH		205	185	B	-	16	
955	95501	95501Z	M20	105	85	C	16	-	18.000
955	95502	95502Z		155	135	C	16	-	
955	95503	95503Z		205	185	C	16	-	
955	95501H	95501ZH		105	85	C	-	20	
955	95502H	95502ZH		155	135	C	-	20	
955	95503H	95503ZH		205	185	C	-	20	





Piede diam. 100 mm  
Leveler diam. 100 mm / Gelenkfuss Diam. 100 mm

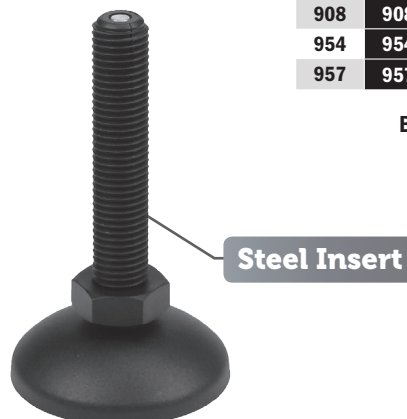
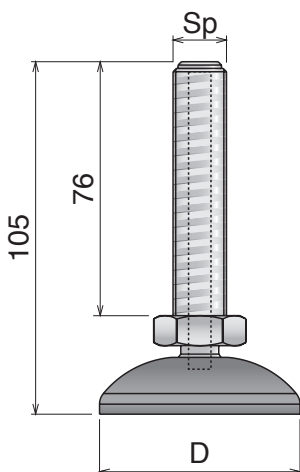
Part	SS	FeZn	Sp	TH	L	Ball	 		N
956	95601	95601Z	M16	108	85	B	13	-	15.000
956	95602	95602Z		158	135	B	13	-	
956	95603	95603Z		208	185	B	13	-	
956	95601H	95601ZH		108	85	B	-	16	
956	95602H	95602ZH		158	135	B	-	16	
956	95603H	95603ZH		208	185	B	-	16	
957	95701	95701Z	M20	108	85	C	16	-	18.000
957	95702	95702Z		158	135	C	16	-	
957	95703	95703Z		208	185	C	16	-	
957	95701H	95701ZH		108	85	C	-	20	
957	95702H	95702ZH		158	135	C	-	20	
957	95703H	95703ZH		208	185	C	-	20	



Piede diam. 60-80-100 mm  
Leveler diam. 60-80-100 mm  
Gelenkfuss Diam. 60-80-100 mm

Part	Article-Nr.	Sp	D	Ball	 		N
908	90810PH	M16	60	C	24	12.000	
954	95410PH		80	C	24		
957	95710PH		100	C	24		

Base and spindle: Poliammide / Polyamide / Polyamid



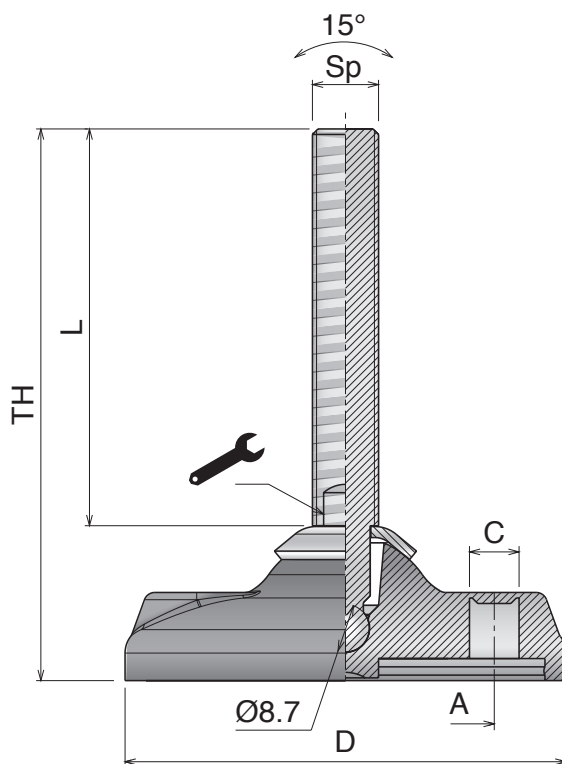
# 910-918 Standard

Piedi / Leveling pads / Gelenkfüsse

## Materiale / Material / Materialien:

Basi: Poliamide Base / Plate: Polyamide / Fussplatte: Polyamid  
 Stelo: Acciaio inox o Ferro zincato / Spindle: Stainless steel or Zinc plated steel / Spindel: Edelstahl oder Stahl Verzinkt

# 910-918 Standard



## Accessori / Accessories / Zubehör



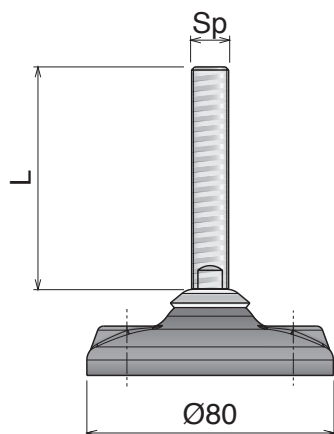
Gomma anti-scivolo  
 Anti-slip pad / Gummiplatte

Part	Article-Nr.	For base
996	99604	Ø80
996	99605	Ø100
996	99606	Ø120



Dadi acciaio inox  
 Stainless steel nuts / Mutter Edelstahl

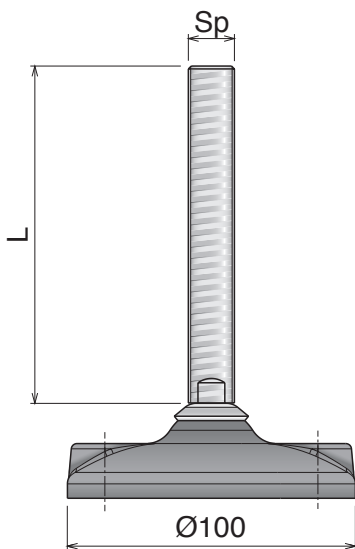
Part	Article-Nr.	Spindle
998	99802	M12
998	99804	M16
998	99805	M20
998	99806	M24



Piede diam. 80 mm

Leveller diam. 80 mm / Gelenkfuss Diam. 80 mm

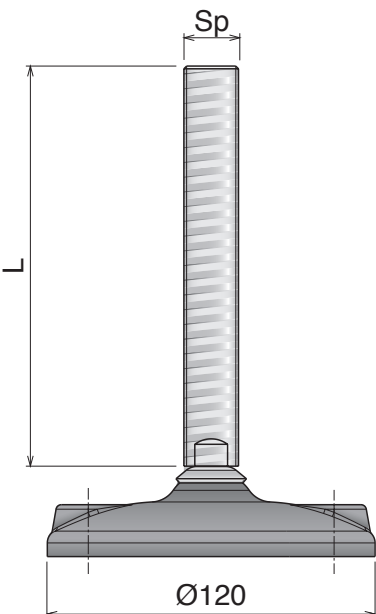
Part	SS	FeZn	Sp	TH	L	A	C		N
910	91001	91001Z	M12	100	72	54	9	9	-
910	91002	91002Z		150	122	54	9	9	-
910	91003	91003Z		200	172	54	9	9	-
911	91101	91101Z	M16	95	67	54	9	13	-
911	91102	91102Z		145	117	54	9	13	-
911	91103	91103Z		195	167	54	9	13	-
911	91101H	91101ZH		95	67	54	9	-	16
911	91102H	91102ZH		145	117	54	9	-	16
911	91103H	91103ZH	195	167	54	9	-	16	
912	91201	91201Z	M20	120	92	54	9	16	-
912	91202	91202Z		170	142	54	9	16	-
912	91203	91203Z		220	192	54	9	16	-
912	91201H	91201ZH		120	92	54	9	-	20
912	91202H	91202ZH		170	142	54	9	-	20
912	91203H	91203ZH		220	192	54	9	-	20



Piede diam. 100 mm

Leveller diam. 100 mm / Gelenkfuss Diam. 100 mm

Part	SS	FeZn	Sp	TH	L	A	C		N
913	91301	91301Z	M16	100	67	74	13	13	-
913	91302	91302Z		150	117	74	13	13	-
913	91303	91303Z		200	167	74	13	13	-
913	91301H	91301ZH		100	67	74	13	-	16
913	91302H	91302ZH		150	117	74	13	-	16
913	91303H	91303ZH		200	167	74	13	-	16
914	91401	91401Z	M20	125	92	74	13	16	-
914	91402	91402Z		175	142	74	13	16	-
914	91403	91403Z		225	192	74	13	16	-
914	91401H	91401ZH		125	92	74	13	-	20
914	91402H	91402ZH		175	142	74	13	-	20
914	91403H	91403ZH	225	192	74	13	-	20	
915	91501	91501Z	M24	125	92	74	13	19	-
915	91502	91502Z		175	142	74	13	19	-
915	91503	91503Z		225	192	74	13	19	-



Piede diam. 120 mm

Leveller diam. 120 mm / Gelenkfuss Diam. 120 mm

Part	SS	FeZn	Sp	TH	L	A	C		N
916	91601	91601Z	M16	100	67	90	13	13	-
916	91602	91602Z		150	117	90	13	13	-
916	91603	91603Z		200	167	90	13	13	-
916	91601H	91601ZH		100	67	90	13	-	16
916	91602H	91602ZH		150	117	90	13	-	16
916	91603H	91603ZH		200	167	90	13	-	16
917	91701	91701Z	M20	125	92	90	13	16	-
917	91702	91702Z		175	142	90	13	16	-
917	91703	91703Z		225	192	90	13	16	-
917	91701H	91701ZH		125	92	90	13	-	20
917	91702H	91702ZH		175	142	90	13	-	20
917	91703H	91703ZH	225	192	90	13	-	20	
918	91801	91801Z	M24	125	92	90	13	19	-
918	91802	91802Z		175	142	90	13	19	-
918	91803	91803Z		225	192	90	13	19	-

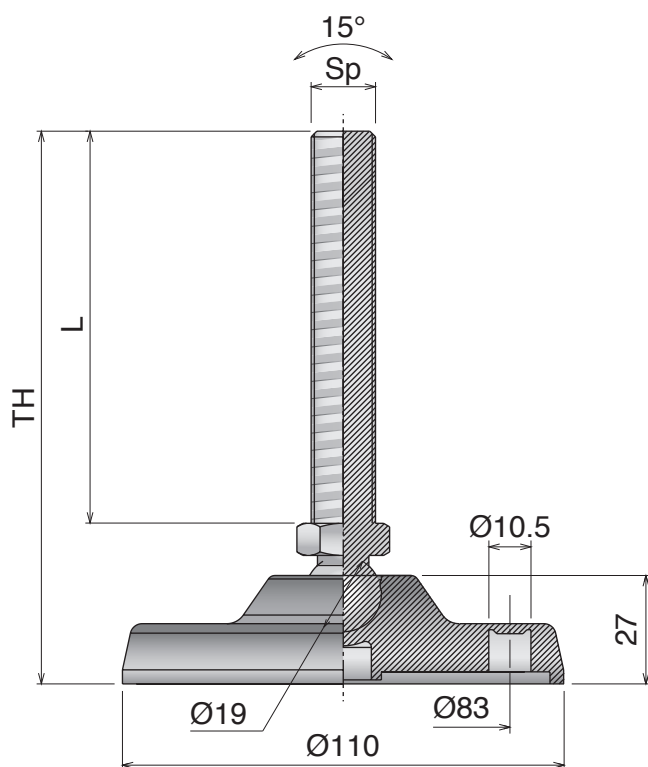
# 943-947 Ø110

Piedi / Leveling pads / Gelenkfüsse

## Materiale / Material / Materialien:

Basi: Poliammide Base / Plate: Polyamide / Fussplatte: Polyamid  
Stelo: Acciaio inox o Ferro zincato / Spindle: Stainless steel or Zinc plated steel / Spindel: Edelstahl oder Stahl Verzinkt

# 943-947 Ø110



## Accessori / Accessories / Zubehör



Gomma anti-scivolo  
Anti-slip pad / Gummiplatte

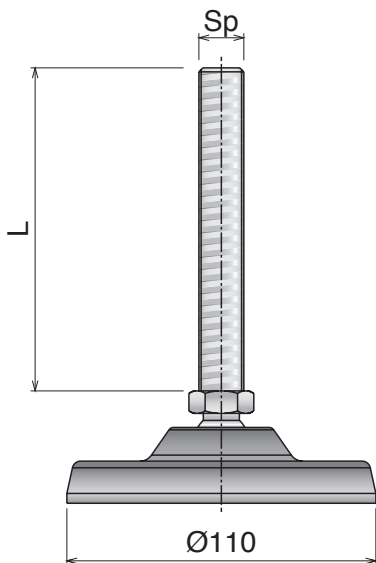
Part	Article-Nr.	For base
996	99607	Ø110



Dadi acciaio inox  
Stainless steel nuts / Mutter Edelstahl

Part	Article-Nr.	Spindle
998	99804	M16
998	99805	M20
998	99806	M24







Piede diam. 110 mm

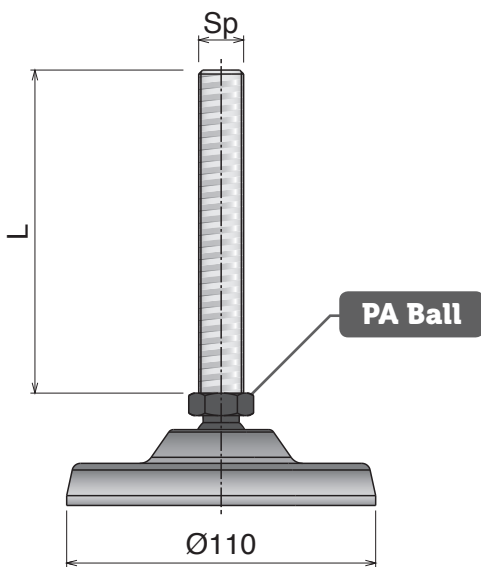
Leveller diam. 110 mm / Gelenkfuss Diam. 110 mm

**Without antislip rubber**

Part	SS	FeZn	Sp	TH	L		N		
943	94301H	94301ZH	M16	155	115	20	15.000		
943	94302H	94302ZH		185	145	20			
943	94303H	94303ZH		235	195	20			
944	94401H	94401ZH	M20	155	115	20		18.000	
944	94402H	94402ZH		185	145	20			
944	94403H	94403ZH		235	195	20			
945	94501H	94501ZH	M24	155	115	24			18.000
945	94502H	94502ZH		185	145	24			
945	94503H	94503ZH		235	195	24			

**With antislip rubber**


Part	SS	FeZn	Sp	TH	L		N		
943	94351H	94351ZH	M16	155	115	20	15.000		
943	94352H	94352ZH		185	145	20			
943	94353H	94353ZH		235	195	20			
944	94451H	94451ZH	M20	155	115	20		18.000	
944	94452H	94452ZH		185	145	20			
944	94453H	94453ZH		235	195	20			
945	94551H	94551ZH	M24	155	115	24			18.000
945	94552H	94552ZH		185	145	24			
945	94553H	94553ZH		235	195	24			




Piede diam. 110 mm

Leveller diam. 110 mm / Gelenkfuss Diam. 110 mm

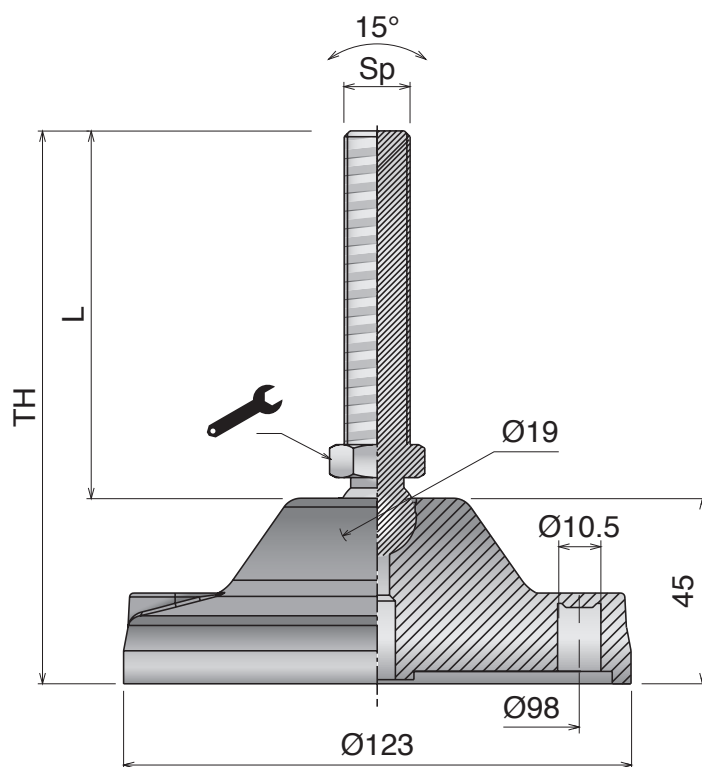
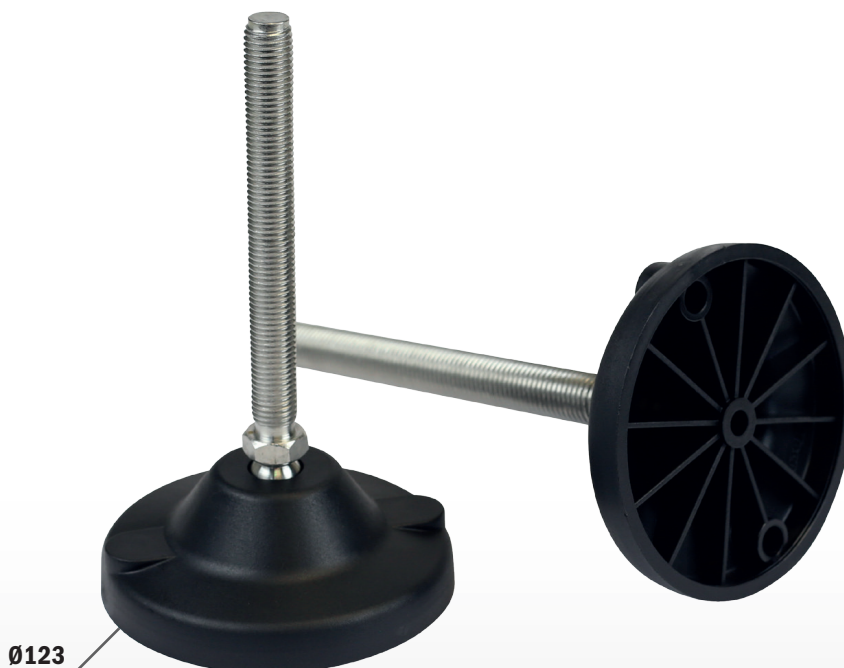
**Without antislip rubber**

Part	SS	FeZn	Sp	TH	L		N	
946	94601H	94601ZH	M16	155	115	20	12.000	
946	94602H	94602ZH		185	145	20		
946	94603H	94603ZH		235	195	20		
947	94701H	94701ZH	M20	155	115	20		12.000
947	94702H	94702ZH		185	145	20		
947	94703H	94703ZH		235	195	20		

**With antislip rubber**

Part	SS	FeZn	Sp	TH	L		N	
946	94651H	94651ZH	M16	155	115	20	12.000	
946	94652H	94652ZH		185	145	20		
946	94653H	94653ZH		235	195	20		
947	94751H	94751ZH	M20	155	115	20		12.000
947	94752H	94752ZH		185	145	20		
947	9475 H	94753ZH		235	195	20		

## 948-952 Ø123



### Accessori / Accessories / Zubehör



**Gomma anti-scivolo**  
**Anti-slip pad / Gummiplatte**

Part	Article-Nr.	For base
996	99608	Ø123




**Dadi acciaio inox**  
**Stainless steel nuts / Mutter Edelstahl**

Part	Article-Nr.	Spindle
998	99804	M16
998	99805	M20
998	99806	M24


Piede diam. 123 mm

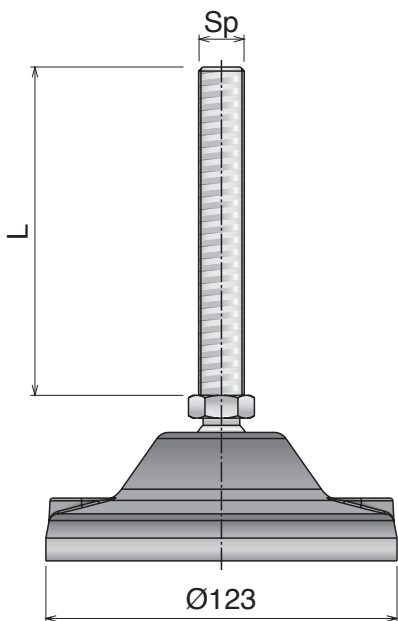
Leveller diam. 123 mm / Gelenkfuss Diam. 123 mm

**Without antislip rubber**

Part	SS	FeZn	Sp	TH	L		N
948	94801H	94801ZH	M16	175	115	20	
948	94802H	94802ZH		205	145	20	
948	94803H	94803ZH		255	195	20	
949	94901H	94901ZH	M20	175	115	20	25.000
949	94902H	94902ZH		205	145	20	
949	94903H	94903ZH		255	195	20	
950	95001H	95001ZH	M24	175	115	24	
950	95002H	95002ZH		205	145	24	
950	95003H	95003ZH		255	195	24	

**With antislip rubber**


Part	SS	FeZn	Sp	TH	L		N
948	94851H	94851ZH	M16	175	115	20	
948	94852H	94852ZH		205	145	20	
948	94853H	94853ZH		255	195	20	
949	94951H	94951ZH	M20	175	115	20	25.000
949	94952H	94952ZH		205	145	20	
949	94953H	94953ZH		255	195	20	
950	95051H	95051ZH	M24	175	115	24	
950	95052H	95052ZH		205	145	24	
950	95053H	95053ZH		255	195	24	




Piede diam. 123 mm

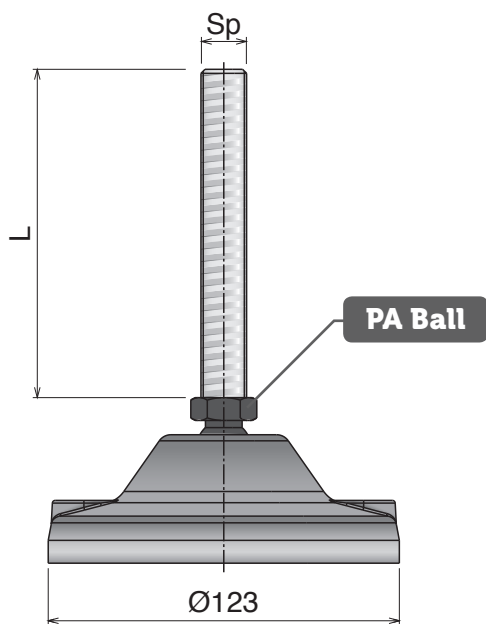
Leveller diam. 123 mm / Gelenkfuss Diam. 123 mm

**Without antislip rubber**

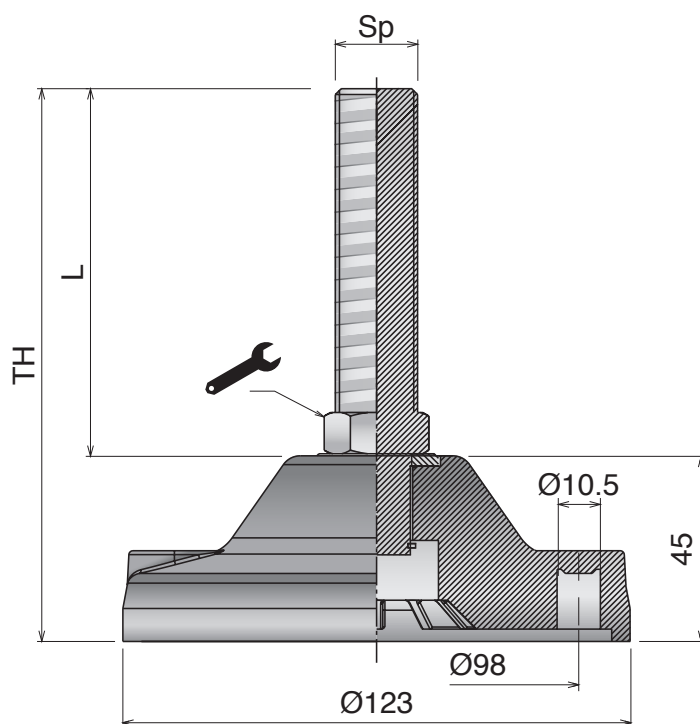
Part	SS	FeZn	Sp	TH	L		N
951	95101H	95101ZH	M16	175	115	20	20.000
951	95102H	95102ZH		205	145	20	
951	95103H	95103ZH		255	195	20	
952	95201H	95201ZH	M20	175	115	20	20.000
952	95202H	95202ZH		205	145	20	
952	95203H	95203ZH		255	195	20	

**With antislip rubber**

Part	SS	FeZn	Sp	TH	L		N
951	95151H	95151ZH	M16	175	115	20	20.000
951	95152H	95152ZH		205	145	20	
951	95153H	95153ZH		255	195	20	
952	95251H	95251ZH	M20	175	115	20	20.000
952	95252H	95252ZH		205	145	20	
952	95253H	95253ZH		255	195	20	



## 958-959/931-932/981-983 Ø123



### Accessori / Accessories / Zubehör



**Gomma anti-scivolo**  
**Anti-slip pad / Gummiplatte**

Part	Article-Nr.	For base
996	99608	Ø123



**Dadi acciaio inox**  
**Stainless steel nuts / Mutter Edelstahl**

Part	Article-Nr.	Spindle
998	99804	M16
998	99805	M20
998	99806	M24

**Materiale / Material / Materialien:**

**SS:** Acciaio inox / Stainless steel / Edelstahl


**FeZn:** Ferro zincato / Zinc plated steel / Stahl Verzinkt

# 958-959/931-932/981-983 Ø123


Piedi / Leveling pads / Gelenkfüsse

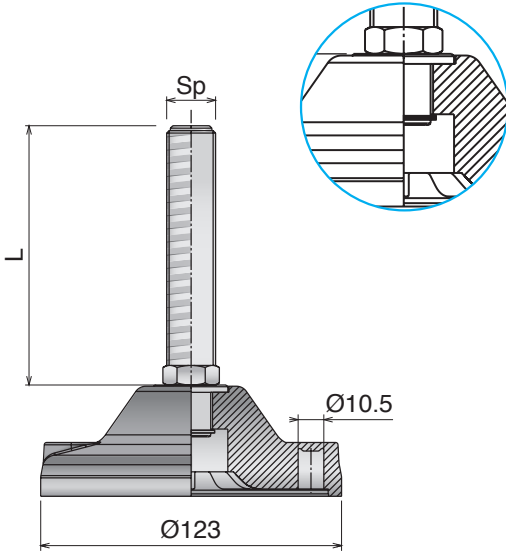
**Piede diam. 123 mm / Leveller diam. 123 mm / Gelenkfuss Diam. 123 mm**

**Without antislip rubber**

Part	SS	FeZn	Sp	TH	L		N
958	95801H	95801ZH	M20	150	98	20	30.000
958	95802H	95802ZH		200	148	20	
958	95803H	95803ZH		250	198	20	
959	95901H	95901ZH	M24	150	98	24	30.000
959	95902H	95902ZH		200	148	24	
959	95903H	95903ZH		250	198	24	


**With antislip rubber**

Part	SS	FeZn	Sp	TH	L		N
958	95851H	95851ZH	M20	150	98	20	30.000
958	95852H	95852ZH		200	148	20	
958	95853H	95853ZH		250	198	20	
959	95951H	95951ZH	M24	150	98	24	30.000
959	95952H	95952ZH		200	148	24	
959	95953H	95953ZH		250	198	24	




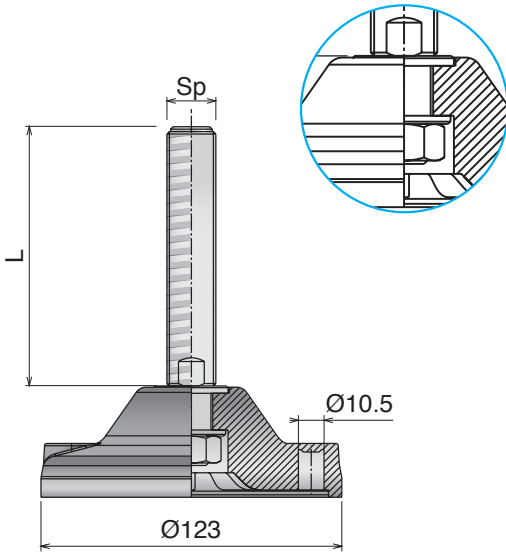
**Piede diam. 123 mm / Leveller diam. 123 mm / Gelenkfuss Diam. 123 mm**

**Without antislip rubber**

Part	SS	FeZn	Sp	TH	L		N
931	93102	93102Z	M20	200	148	16	30.000
931	93103	93103Z		250	198	16	
932	93202	93202Z	M24	200	148	19	30.000
932	93203	93203Z		250	198	19	
933	93302	93302Z	M30	200	148	24	30.000
933	93303	93303Z		250	198	24	


**With antislip rubber**

Part	SS	FeZn	Sp	TH	L		N
931	93152	93152Z	M20	200	148	16	30.000
931	93153	93153Z		250	198	16	
932	93252	93252Z	M24	200	148	19	30.000
932	93253	93253Z		250	198	19	
933	93352	93352Z	M30	200	148	24	30.000
933	93353	93353Z		250	198	24	




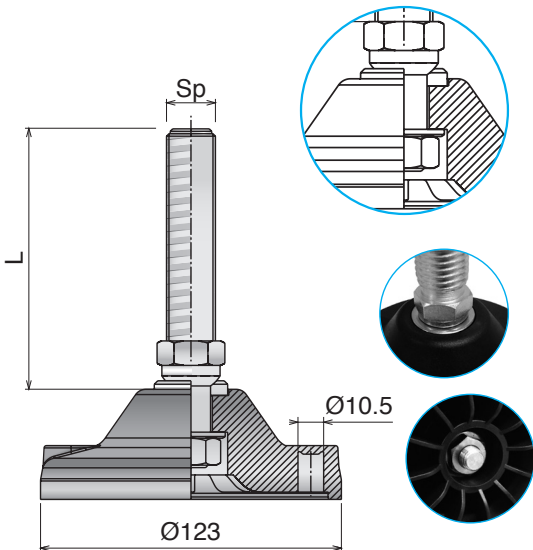
**Piede diam. 123 mm / Leveller diam. 123 mm / Gelenkfuss Diam. 123 mm**

**Without antislip rubber**

Part	SS	FeZn	Sp	TH	L		N
981	98102H	98102ZH	M20	200	148	24	30.000
981	98103H	98103ZH		250	198	24	
982	98202H	98202ZH	M24	200	148	24	30.000
982	98203H	98203ZH		250	198	24	
983	98302H	98302ZH	M30	200	148	32	30.000
983	98303H	98303ZH		250	198	32	

**With antislip rubber**

Part	SS	FeZn	Sp	TH	L		N
981	98152H	98152ZH	M20	200	148	24	30.000
981	98153H	98153ZH		250	198	24	
982	98252H	98252ZH	M24	200	148	24	30.000
982	98253H	98253ZH		250	198	24	
983	98352H	98352ZH	M30	200	148	32	30.000
983	98353H	98353ZH		250	198	32	



# 919-980 Easy clean

Piedi / Leveling pads / Gelenkfüsse

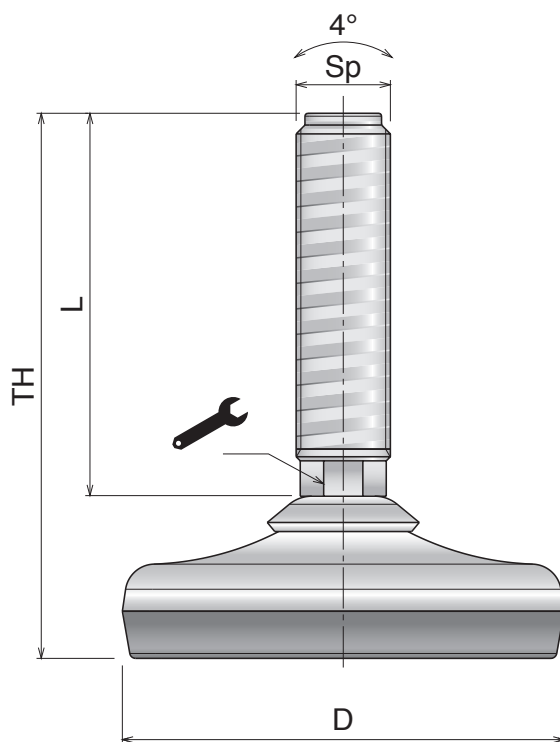
Materiali / Material / Materialien:

Basi, stelo e rondella: Acciaio inox

Base plate, spindle and washer: Stainless steel

Fussplatte, Spindel und Scheibe: Edelstahl

## 919-980 Easy clean



### Accessori / Accessories / Zubehör

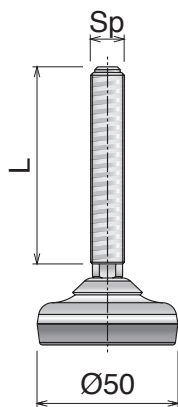


Dadi acciaio inox  
Stainless steel nuts / Mutter Edelstahl

Part	Article-Nr.	Spindle
998	99802	M12
998	99804	M16
998	99805	M20
998	99806	M24
998	99807	M30

**Materiale / Material / Materialien:**

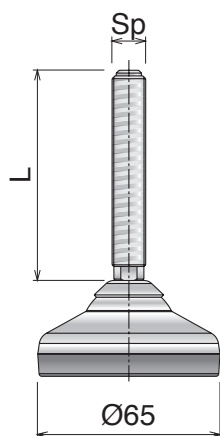
Basi, stelo e rondella: Acciaio inox  
 Base plate, spindle and washer: Stainless steel  
 Fussplatte, Spindel und Scheibe: Edelstahl



**Piede diam. 50 mm**  
**Leveller diam. 50 mm / Gelenkfuss Diam. 50 mm**



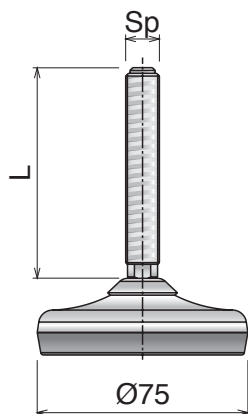
Part	Article-Nr.	Sp	TH	L		N
919	91901	M12	75	50	9	3.000
919	91902		100	75	9	
919	91903		150	125	9	
920	92001	M16	90	65	13	3.000
920	92002		140	115	13	
920	92003		190	165	13	
921	92101	M20	90	65	16	3.000
921	92102		115	90	16	
921	92103		165	140	16	



**Piede diam. 65 mm**  
**Leveller diam. 65 mm / Gelenkfuss Diam. 65 mm**



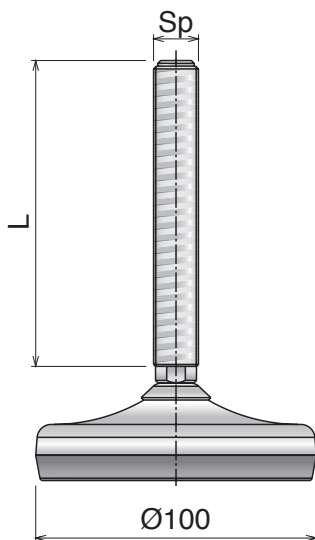
Part	Article-Nr.	Sp	TH	L		N
972	97201	M12	75	50	9	5.000
972	97202		100	75	9	
972	97203		150	125	9	
973	97301	M16	90	65	13	5.000
973	97302		140	115	13	
973	97303		190	165	13	
974	97401	M20	90	65	16	5.000
974	97402		115	90	16	
974	97403		165	140	16	



**Piede diam. 75 mm**  
**Leveller diam. 75 mm / Gelenkfuss Diam. 75 mm**



Part	Article-Nr.	Sp	TH	L		N
922	92201	M12	80	50	9	8.000
922	92202		105	75	9	
922	92203		155	125	9	
923	92301	M16	95	65	13	8.000
923	92302		145	115	13	
923	92303		195	165	13	
924	92401	M20	95	65	16	8.000
924	92402		120	90	16	
924	92403		170	140	16	



**Piede diam. 100 mm**  
**Leveller diam. 100 mm / Gelenkfuss Diam. 100 mm**



Part	Article-Nr.	Sp	TH	L		N
925	92501	M16	100	65	13	20.000
925	92502		150	115	13	
925	92503		200	165	13	
926	92601	M20	125	90	16	20.000
926	92602		175	140	16	
926	92603		225	190	16	
927	92701	M24	125	90	19	20.000
927	92702		175	140	19	
927	92703		225	190	19	

# 919-980 Easy clean

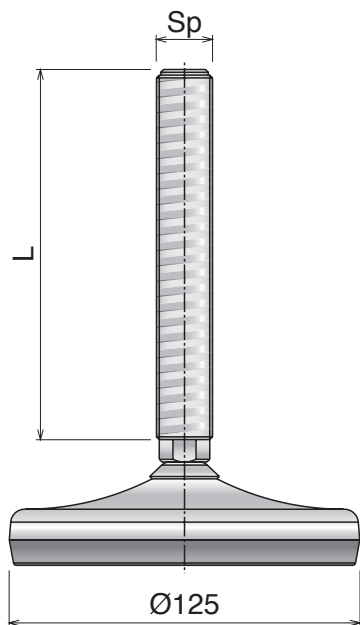
Piedi / Leveling pads / Gelenkfüsse

Materiali / Material / Materialien:

Basi, stelo e rondella: Acciaio inox

Base plate, spindle and washer: Stainless steel

Fussplatte, Spindel und Scheibe: Edelstahl

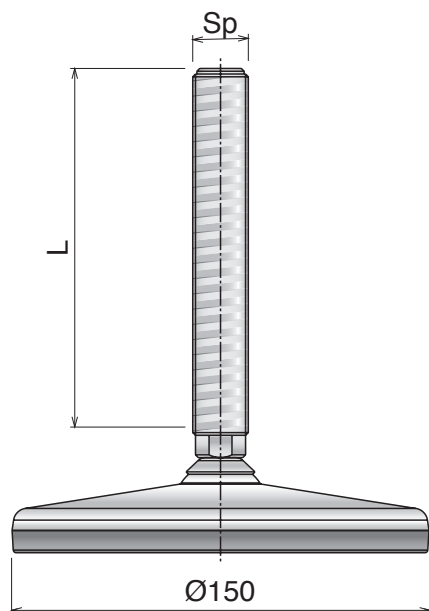


Piede diam. 125 mm

Leveller diam. 125 mm / Gelenkfuss Diam. 125 mm



Part	Article-Nr.	Sp	TH	L		N
928	92801	M20	130	90	16	30.000
928	92802		180	140	16	
928	92803		230	190	16	
929	92901	M24	130	90	19	
929	92902		180	140	19	
929	92903		230	190	19	
930	93001	M30	155	115	24	
930	93002		205	165	24	
930	93003		255	215	24	

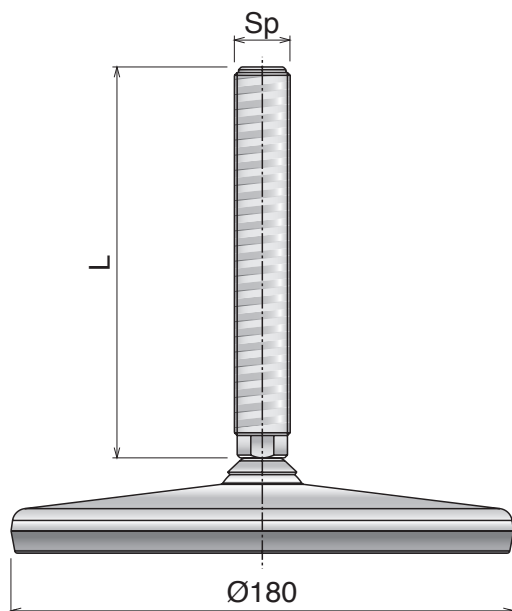


Piede diam. 150 mm

Leveller diam. 150 mm / Gelenkfuss Diam. 150 mm



Part	Article-Nr.	Sp	TH	L		N
975	97501	M20	125	90	16	35.000
975	97502		175	140	16	
975	97503		225	190	16	
976	97601	M24	175	140	19	
976	97602		225	190	19	
976	97603		285	250	19	
977	97702	M30	175	140	24	
977	97703		225	190	24	
977	97704		285	250	24	



Piede diam. 180 mm

Leveller diam. 180 mm / Gelenkfuss Diam. 180 mm

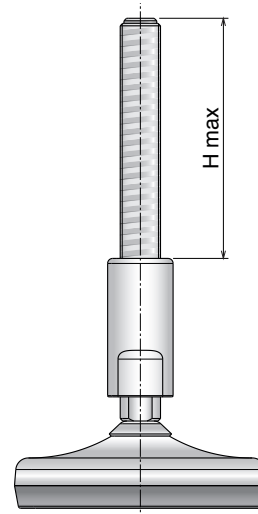
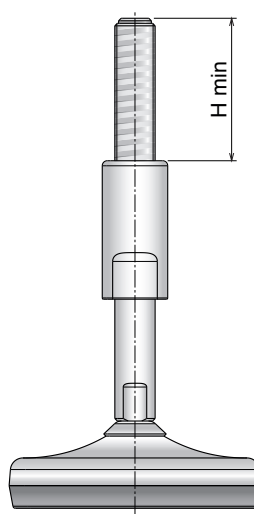
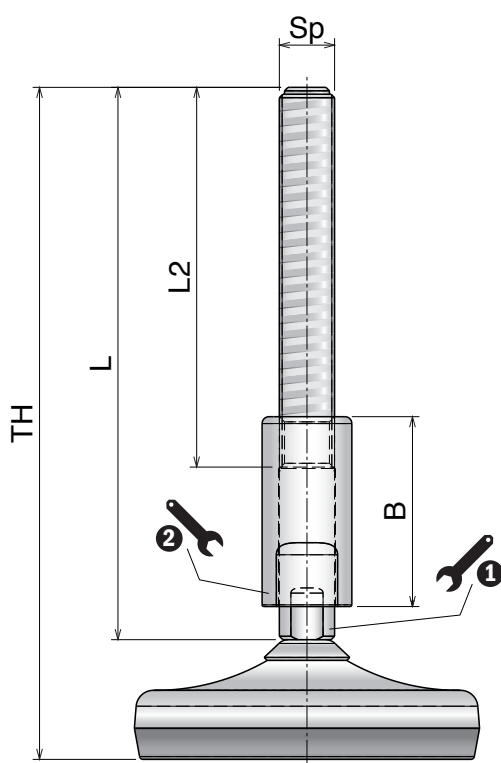


Part	Article-Nr.	Sp	TH	L		N
978	97801	M20	125	90	16	38.000
978	97802		175	140	16	
978	97803		225	190	16	
979	97902	M24	125	90	19	
979	97903		175	140	19	
979	97904		225	190	19	
980	98003	M30	225	190	24	
980	98004		285	250	24	
980	98005		335	300	24	



**Materiale / Material / Materialien:**  
 Basi, stelo e rondella: Acciaio inox  
 Base plate, spindle and washer: Stainless steel  
 Fussplatte, Spindel und Scheibe: Edelstahl

## 985-991 Easy clean



### Adjustment range

	H min	H max
L: 160 / B: 55	56,6	95,4
L: 210 / B: 85	45,6	114,5

### Accessori / Accessories / Zubehör



Dadi acciaio inox  
 Stainless steel nuts / Mutter Edelstahl

Part	Article-Nr.	Spindle
998	99804	M16
998	99805	M20
998	99806	M24

# 985-991 Easy clean

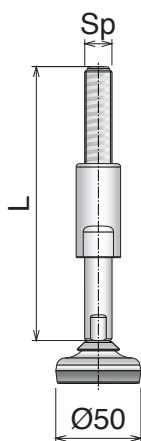
Piedi / Leveling pads / Gelenkfüsse

• Materiale / Material / Materialien:

Basi, stelo e rondella: Acciaio inox

Base plate, spindle and washer: Stainless steel

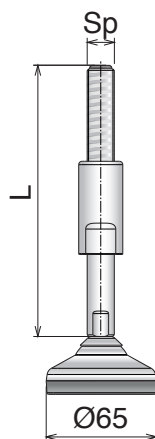
Fussplatte, Spindel und Scheibe: Edelstahl



Piede diam. 50 mm

Leveller diam. 50 mm / Gelenkfuss Diam. 50 mm

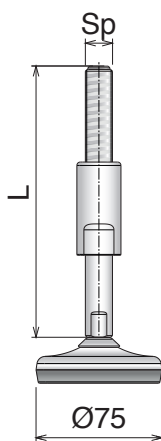
Part	Article-Nr.	Sp	TH	L	L2	B	1	2
985	98501	M16	185	160	110	55	13	19
985	98502		235	210	130	85	13	19
985	98503	M20	185	160	110	55	16	24
985	98504		235	210	130	85	16	24
985	98505	M24	185	160	110	55	19	27
985	98506		235	210	130	85	19	27



Piede diam. 65 mm

Leveller diam. 65 mm / Gelenkfuss Diam. 65 mm

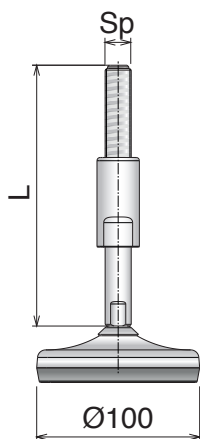
Part	Article-Nr.	Sp	TH	L	L2	B	1	2
986	98601	M16	195	160	110	55	13	19
986	98602		245	210	130	85	13	19
986	98603	M20	195	160	110	55	16	24
986	98604		245	210	130	85	16	24
986	98605	M24	195	160	110	55	19	27
986	98606		245	210	130	85	19	27



Piede diam. 75 mm

Leveller diam. 75 mm / Gelenkfuss Diam. 75 mm

Part	Article-Nr.	Sp	TH	L	L2	B	1	2
987	98701	M16	190	160	110	55	13	19
987	98702		240	210	130	85	13	19
987	98703	M20	190	160	110	55	16	24
987	98704		240	210	130	85	16	24
987	98705	M24	190	160	110	55	19	27
987	98706		240	210	130	85	19	27



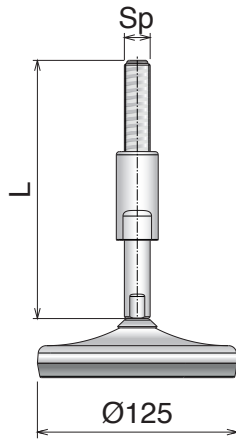
Piede diam. 100 mm

Leveller diam. 100 mm / Gelenkfuss Diam. 100 mm

Part	Article-Nr.	Sp	TH	L	L2	B	1	2
988	98801	M16	195	160	110	55	13	19
988	98802		245	210	130	85	13	19
988	98803	M20	195	160	110	55	16	24
988	98804		245	210	130	85	16	24
988	98805	M24	195	160	110	55	19	27
988	98806		245	210	130	85	19	27

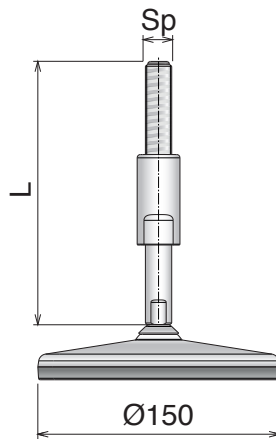
**Materiale / Material / Materialien:**

Basi, stelo e rondella: Acciaio inox  
 Base plate, spindle and washer: Stainless steel  
 Fussplatte, Spindel und Scheibe: Edelstahl



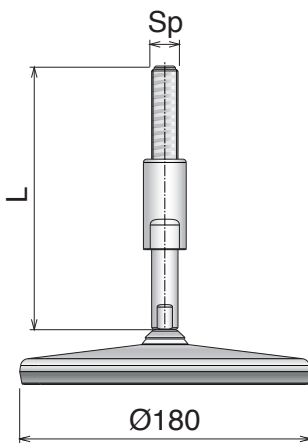
**Piede diam. 125 mm**  
**Leveller diam. 125 mm / Gelenkfuss Diam. 125 mm**

Part	Article-Nr.	Sp	TH	L	L2	B	①	②
989	98901	M16	195	160	110	55	13	19
989	98902		245	210	130	85	13	19
989	98903	M20	195	160	110	55	16	24
989	98904		245	210	130	85	16	24
989	98905	M24	195	160	110	55	19	27
989	98906		245	210	130	85	19	27



**Piede diam. 150 mm**  
**Leveller diam. 150 mm / Gelenkfuss Diam. 150 mm**

Part	Article-Nr.	Sp	TH	L	L2	B	①	②
990	99001	M16	195	160	110	55	13	19
990	99002		245	210	130	85	13	19
990	99003	M20	195	160	110	55	16	24
990	99004		245	210	130	85	16	24
990	99005	M24	195	160	110	55	19	27
990	99006		245	210	130	85	19	27



**Piede diam. 180 mm**  
**Leveller diam. 180 mm / Gelenkfuss Diam. 180 mm**

Part	Article-Nr.	Sp	TH	L	L2	B	①	②
991	99101	M16	195	160	110	55	13	19
991	99102		245	210	130	85	13	19
991	99103	M20	195	160	110	55	16	24
991	99104		245	210	130	85	16	24
991	99105	M24	195	160	110	55	19	27
991	99106		245	210	130	85	19	27

# 934-939 Easy clean

Piedi / Leveling pads / Gelenkfüsse

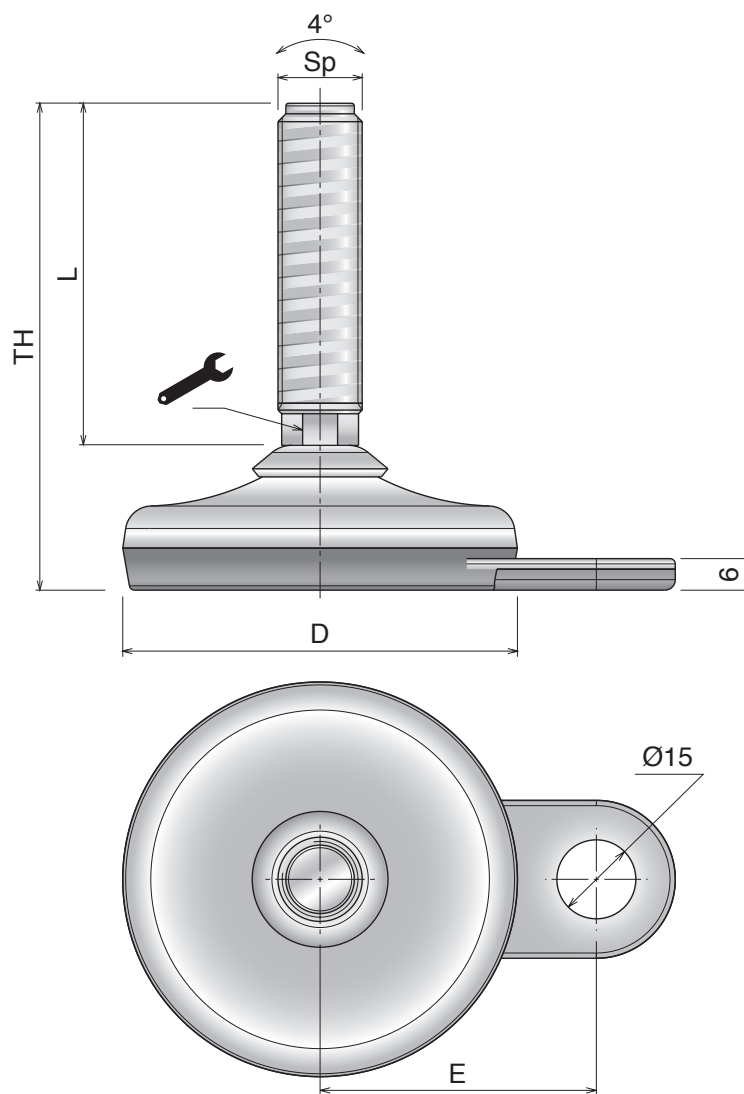
• Materiale / Material / Materialien:

Basi, stelo e rondella: Acciaio inox

Base plate, spindle and washer: Stainless steel

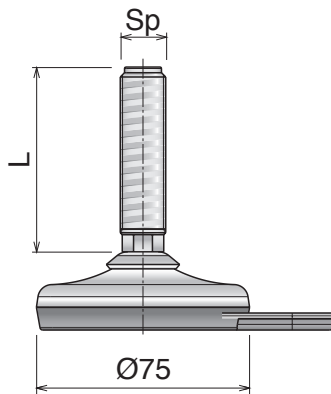
Fussplatte, Spindel und Scheibe: Edelstahl

## 934-939 Easy clean

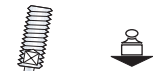


**Materiale / Material / Materialien:**

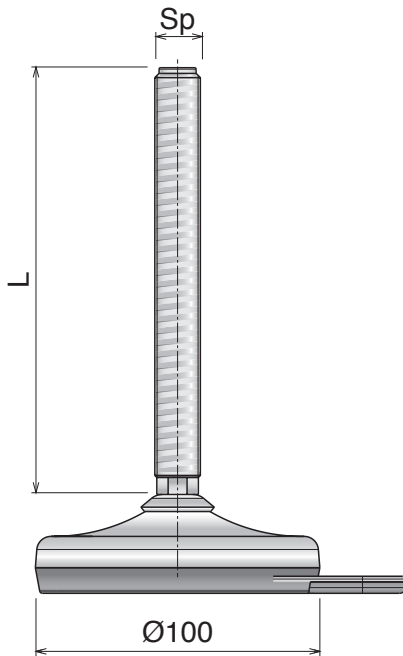
Basi, stelo e rondella: Acciaio inox  
 Base plate, spindle and washer: Stainless steel  
 Fussplatte, Spindel und Scheibe: Edelstahl



**Piede diam. 75 mm con fori fissaggio**  
**Leveller diam. 75 mm with fixing holes**  
**Stellfuss diam. 75 mm mit Befestigungsbohrung**



Part	Article-Nr.	Sp	E	TH	L		N
934	93401	M12	52,5	80	50	9	8.000
934	93402		52,5	105	75	9	
934	93403		52,5	155	125	9	
935	93501	M16	52,5	95	65	13	
935	93502		52,5	145	115	13	
935	93503		52,5	195	165	13	
936	93601	M20	52,5	95	65	16	
936	93602		52,5	120	90	16	
936	93603		52,5	170	140	16	



**Piede diam. 100 mm con fori fissaggio**  
**Leveller diam. 100 mm with fixing holes**  
**Stellfuss diam. 100 mm mit Befestigungsbohrung**



Part	Article-Nr.	Sp	E	TH	L		N
937	93701	M16	65	100	65	13	20.000
937	93702		65	150	115	13	
937	93703		65	200	165	13	
938	93801	M20	65	125	90	16	
938	93802		65	175	140	16	
938	93803		65	225	190	16	
939	93901	M24	65	125	90	19	
939	93902		65	175	140	19	
939	93903		65	225	190	19	

## Accessori / Accessories / Zubehör



**Dadi acciaio inox**  
**Stainless steel nuts / Mutter Edelstahl**

Part	Article-Nr.	Spindle
998	99802	M12
998	99804	M16
998	99805	M20
998	99806	M24
998	99807	M30

# 992-993 Easy clean

Piedi / Leveling pads / Gelenkfüsse

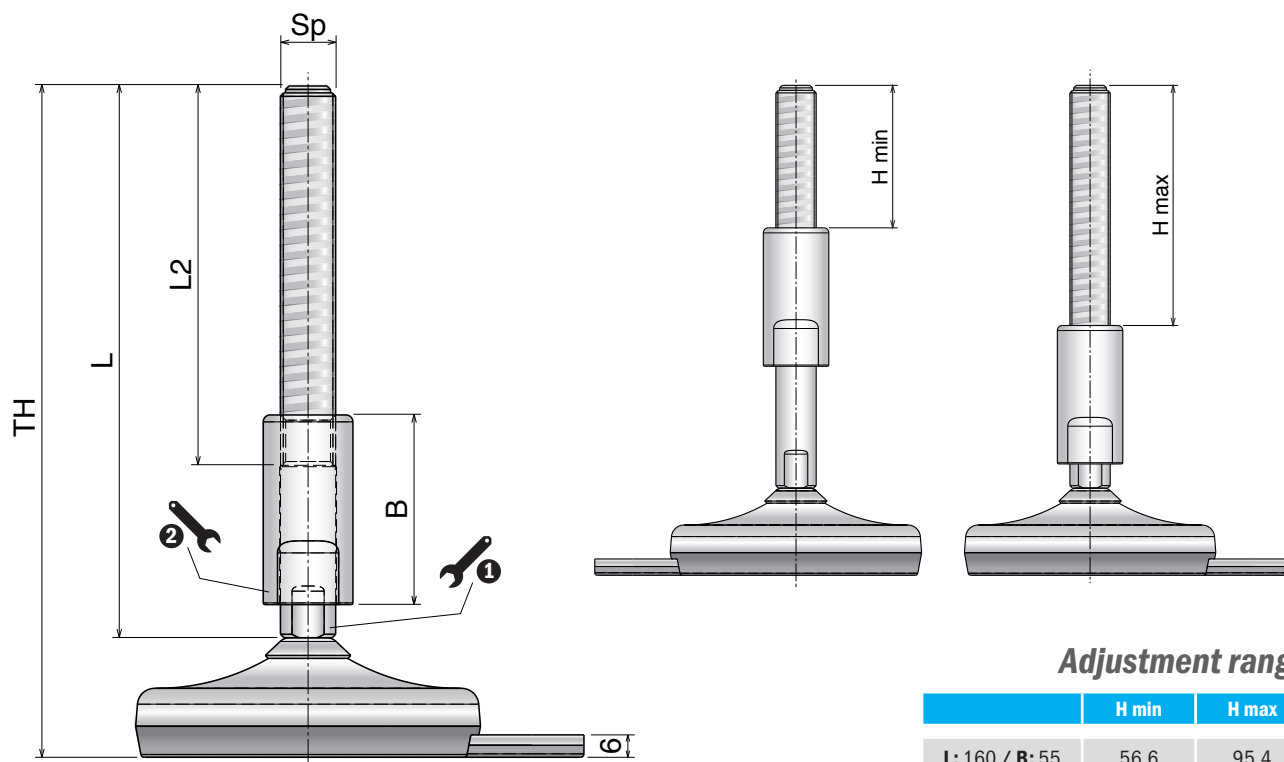
• Materiale / Material / Materialien:

Basi, stelo e rondella: Acciaio inox

Base plate, spindle and washer: Stainless steel

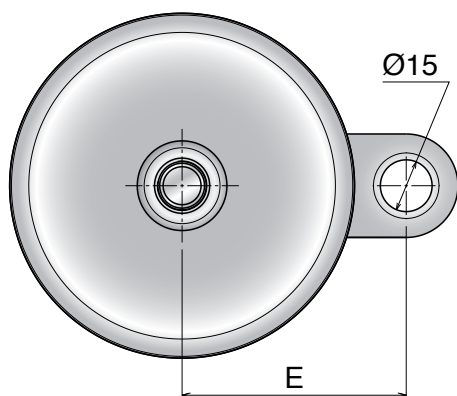
Fussplatte, Spindel und Scheibe: Edelstahl

## 992-993 Easy clean



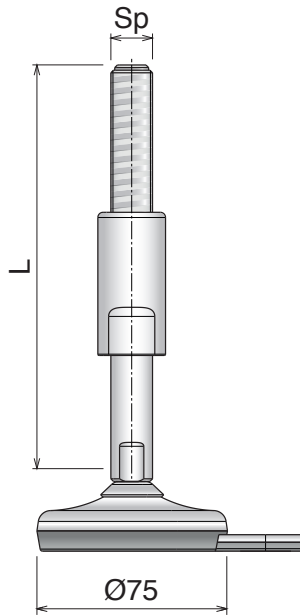
### Adjustment range

	H min	H max
L: 160 / B: 55	56,6	95,4
L: 210 / B: 85	45,6	114,5



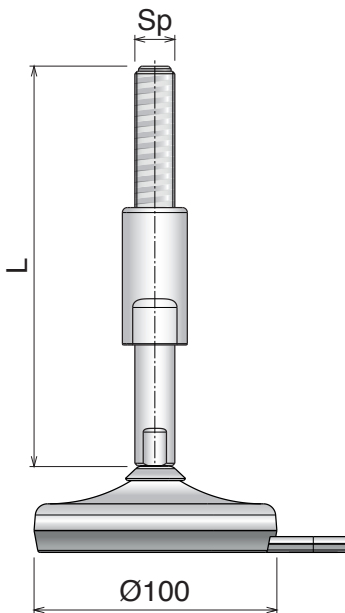
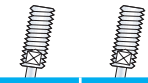
**Materiale / Material / Materialien:**

Basi, stelo e rondella: Acciaio inox  
 Base plate, spindle and washer: Stainless steel  
 Fussplatte, Spindel und Scheibe: Edelstahl



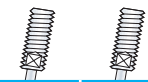
**Piede diam. 75 mm con fori fissaggio**  
**Leveller diam. 75 mm with fixing holes**  
**Stellfuss diam. 75 mm mit Befestigungsbohrung**

Part	Article-Nr.	Sp	TH	L	L2	B	E	1	2
992	99201	M16	190	160	110	55	52,5	13	19
992	99202		240	210	130	85	52,5	13	19
992	99203	M20	190	160	110	55	52,5	16	24
992	99204		240	210	130	85	52,5	16	24
992	99205	M24	190	160	110	55	52,5	19	27
992	99206		240	210	130	85	52,5	19	27



**Piede diam. 100 mm con fori fissaggio**  
**Leveller diam. 100 mm with fixing holes**  
**Stellfuss diam. 100 mm mit Befestigungsbohrung**

Part	Article-Nr.	Sp	TH	L	L2	B	E	1	2
993	99301	M16	195	160	110	55	65	13	19
993	99302		245	210	130	85	65	13	19
993	99303	M20	195	160	110	55	65	16	24
993	99304		245	210	130	85	65	16	24
993	99305	M24	195	160	110	55	65	19	27
993	99306		245	210	130	85	65	19	27



## Accessori / Accessories / Zubehör



**Dadi acciaio inox**  
**Stainless steel nuts / Mutter Edelstahl**

Part	Article-Nr.	Spindle
998	99804	M16
998	99805	M20
998	99806	M24

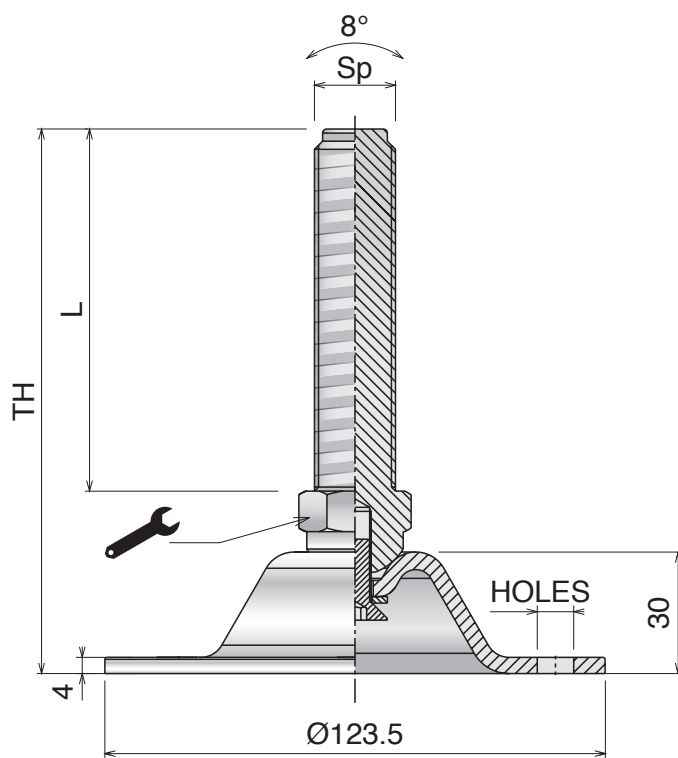
# 960-971

Piedi / Leveling pads / Gelenkfüsse

Material / Material / Materialien:

Acciaio inox o Ferro zincato  
Stainless steel or Zinc plated steel  
Edelstahl oder Stahl Verzinkt

## 960-971



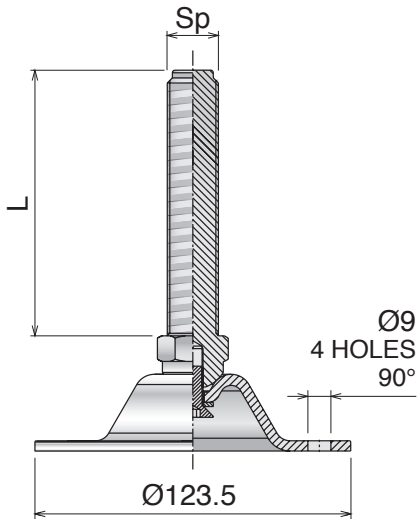
### Accessori / Accessories / Zubehör



Dadi acciaio inox  
Stainless steel nuts / Mutter Edelstahl

Part	Article-Nr.	Spindle
998	99804	M16
998	99805	M20
998	99806	M24
998	99807	M30

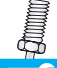



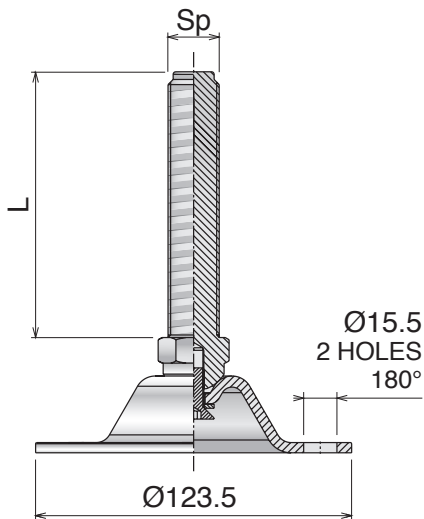


Piede diam. 123 mm con 4 fori 90°

Leveller diam. 123 mm with 4 holes 90°

Stellfuss diam. 123 mm mit 4 Befestigungsbohrung 90°

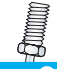

Part	SS	FeZn	Sp	TH	L		
960	96001H	96001ZH	M16	155	115	20	10.000
960	96002H	96002ZH		175	135		
961	96101H	96101ZH	M20	155	115	24	
961	96102H	96102ZH		175	135		
962	96201H	96201ZH	M24	170	125	24	
962	96202H	96202ZH		230	185		
963	96301H	96301ZH	M30	170	125	30	
963	96302H	96302ZH		230	185		

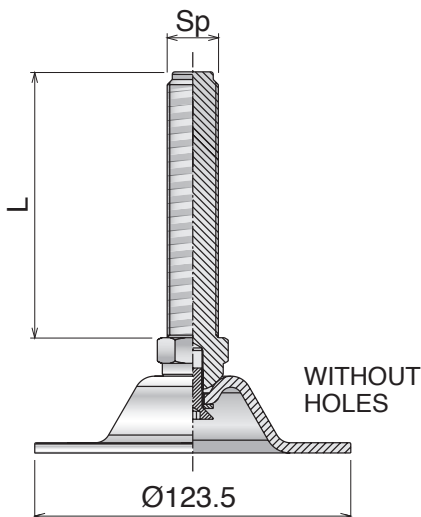


Piede diam. 123 mm con 2 fori 180°

Leveller diam. 123 mm with 2 holes 180°

Stellfuss diam. 123 mm mit 2 Befestigungsbohrung 180°

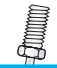

Part	SS	FeZn	Sp	TH	L		
964	96401H	96401ZH	M16	155	115	20	10.000
964	96402H	96402ZH		175	135		
965	96501H	96501ZH	M20	155	115	24	
965	96502H	96502ZH		175	135		
966	96601H	96601ZH	M24	170	125	24	
966	96602H	96602ZH		230	185		
967	96701H	96701ZH	M30	170	125	32	
967	96702H	96702ZH		230	185		



Piede diam. 123 mm senza fori

Leveller diam. 123 mm without holes

Stellfuss diam. 123 mm ohne Befestigungsbohrung

Part	SS	FeZn	Sp	TH	L		
968	96801H	96801ZH	M16	155	115	20	10.000
968	96802H	96802ZH		175	135		
969	96901H	96901ZH	M20	155	115	24	
969	96902H	96902ZH		175	135		
970	97001H	97001ZH	M24	170	125	24	
970	97002H	97002ZH		230	185		
971	97101H	97101ZH	M30	170	125	30	
971	97102H	97102ZH		230	185		